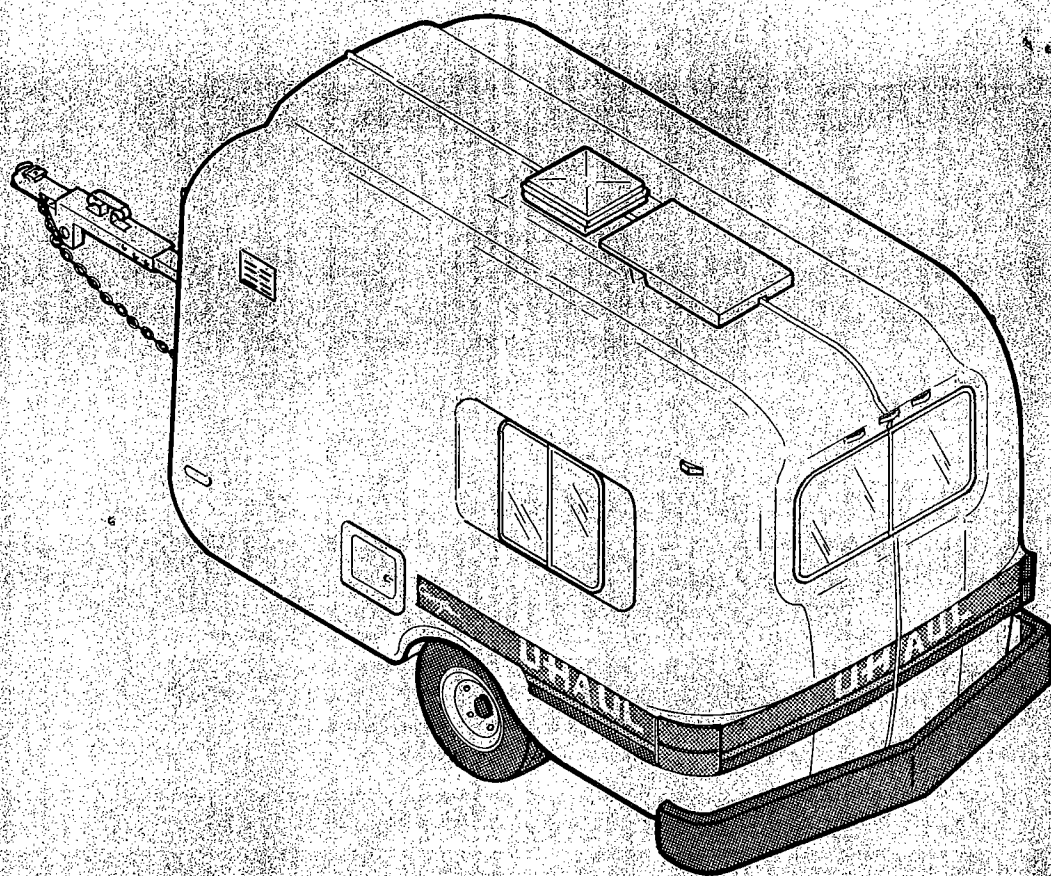


ILLUSTRATED PARTS BREAKDOWN

CAMPER TRAILER



AUGUST 1985

Primary Service Objective

TO PROVIDE BETTER AND BETTER PRODUCTS
TO MORE AND MORE PEOPLE
AT A LOWER AND LOWER COST



PRODUCT GUIDE

1. SAFETY
2. UTILITY VALUE
3. DURABILITY
4. REPAIRABILITY
5. ADVERTISABILITY
6. DISTRIBUTABILITY
7. COST
8. APPEARANCE

INTRODUCTION

This IPB provides the Amercode part numbers, descriptions, and quantities for the component parts and assemblies used in the U-Haul camper trailer.

Parts are grouped according to their functional relationships and are shown in an exploded view to show the manner in which they are assembled.

In instances where only one of two similar assemblies are illustrated (for example, right-hand or left-hand), the user must refer to the accompanying parts list for proper identification of similar parts.

EXPLANATION OF PARTS LISTS

Fig. and Item No. Column. The number preceding the dash is the figure number of the related illustration. The number following the dash is the item number assigned to the individual part within the illustrations. A dash (-) only indicates that the listed part is not illustrated.

Amercode Part No. Column. Listed parts are identified by an Amercode part number. These part numbers are NOT to be used for ordering. (See "How to Order Parts").

Part Description Column. This column provides a brief description of each listed part.

Qty. Per Assy. Column. The quantities listed in this column are those required for one assembly only, even though two such assemblies may be used in the complete equipment. The abbreviation "Ref" is used for functional groups or major assemblies and re for reference identification purposes only. The symbol "AR" is used to indicate "As required".

Usable On Code. This column is used to identify parts which apply only to specific model years of the equipment. Code letters (A,B,etc.) are assigned to the model years affected. If the part is used on all model years, this column will be blank. The following code letters apply to the Camper Trailer:

Code A - 1985 Models Only
Code B - 1984 Models Only

HOW TO OBTAIN REPLACEMENT PARTS.

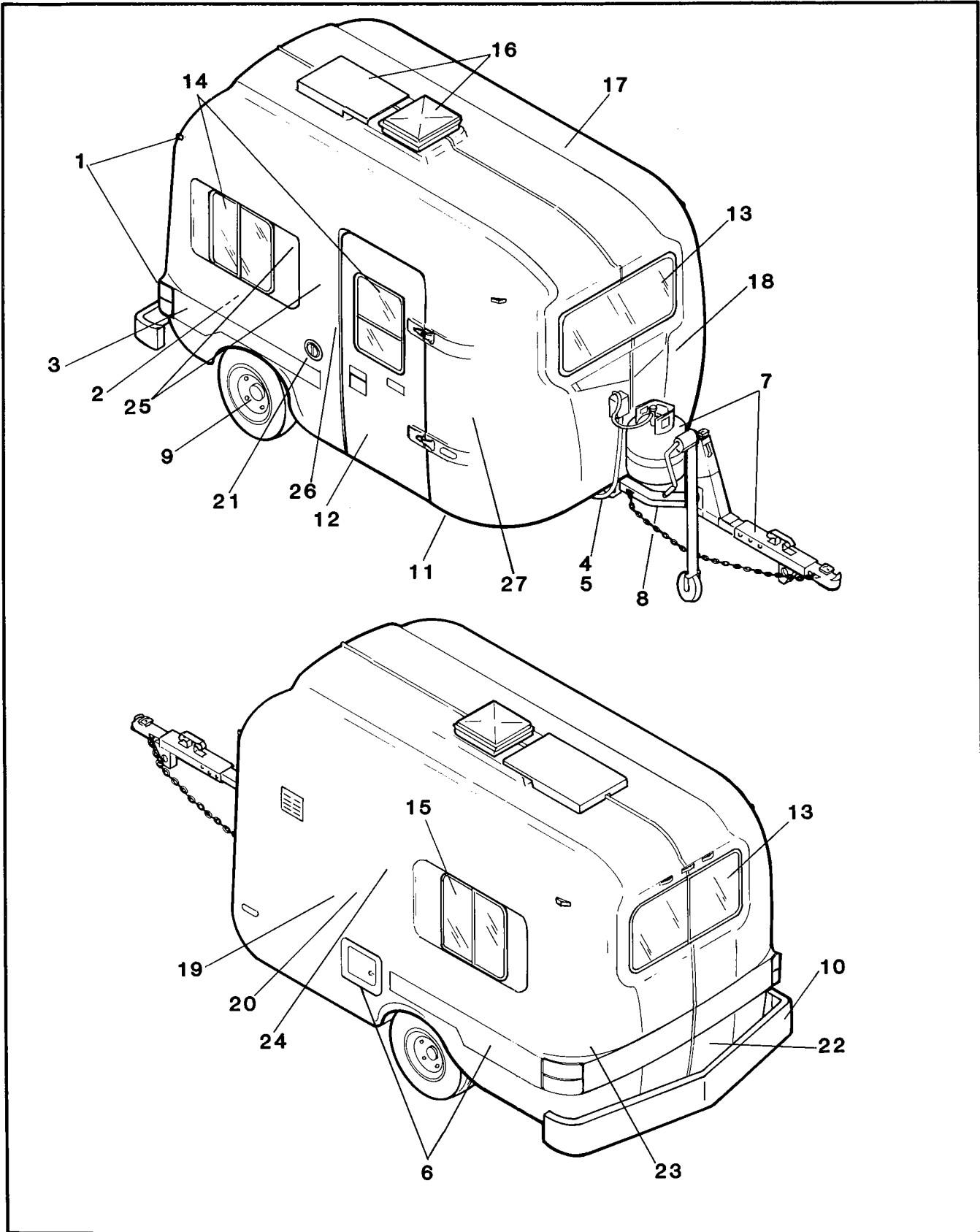
Use the Table of Contents and overall view of the equipment to determine which illustration and parts list is most likely to contain the part you need. Locate the part on that illustration and refer to the parts list for the part number and description.

Find the listed Amercode part number in the current Repair Stock Order Pad and order the quantity you require.

If the listed part number does not appear on the Stock Order Pad, refer to the current U-Haul Repair parts list for further information. If additional assistance is needed, call your U-Haul Account Executive, 1-800- 227-9097 or (602) 893-1736.

COMMON ABBREVIATIONS

AR - as required	dia - diameter
ga - gauge	hex - hexagon
LH - left hand	Ref - reference
RH - right hand	MOD modification
ID - inside diameter	
OD - outside diameter	



CAMPER TRAILER

TABLE OF CONTENTS

ITEM	FUNCTIONAL GROUP	FIG. NO.	PAGE NO.
1.	RUNNING LIGHTS AND WIRING	1	4-5
2.	INTERIOR ELECTRICAL WIRING (115/12V)	2	6-7
3.	115v RECEPTACLE/GFCI & POWER CONVERTER.....	2A,B	8-9
4.	PROPANE GAS LINE INSTALLATION.....	3	10-11
5.	PROPANE GAS LINE ASSEMBLIES	3A,B,C,D,E	12-13
6.	POTABLE WATER SYSTEM	4	14-15
7.	COUPLER AND PROPANE BOTTLE ASSEMBLIES	5,6	16-17
8.	TONGUE AND AXLE ASSEMBLY	7	18-19
9.	HUB AND WHEEL ASSEMBLY.....	8	20-21
10.	BUMPER/SUPPORT ASSEMBLY	9	22-23
11.	FRAME ASSEMBLY.....	10	24-25
12.	DOOR ASSEMBLY.....	11	26-27
13.	WINDOW ASSEMBLIES, FRONT AND REAR.....	12,13	28-29
14.	WINDOW ASSEMBLIES, DOOR AND RIGHT SIDE.....	14,15	30-31
15.	WINDOW ASSEMBLY, EMERGENCY (LEFT SIDE).....	16	32-33
16.	ROOF VENT AND SOLAR PANEL.....	17,18	34-35
17.	BODY ASSEMBLY-EXTERIOR	19	36-37
18.	BUNK ASSEMBLY	20	38-39
19.	ICE BOX, STOVE, AND HOOD.....	21,22,23	40-41
20.	SINK, TABLE AND PORTABLE TOILET	24,25,26	42-43
21.	HEATER	27	44-45
22.	BATTERY BOX	28	46-47
23.	SEAT BOARD INSTALLATION AND STORAGE COMPTS.....	29	48-49
24.	CABINETS	30,31	50-51
25.	CLOSET AND CURTAIN INSTALLATION.....	32,33	52-53

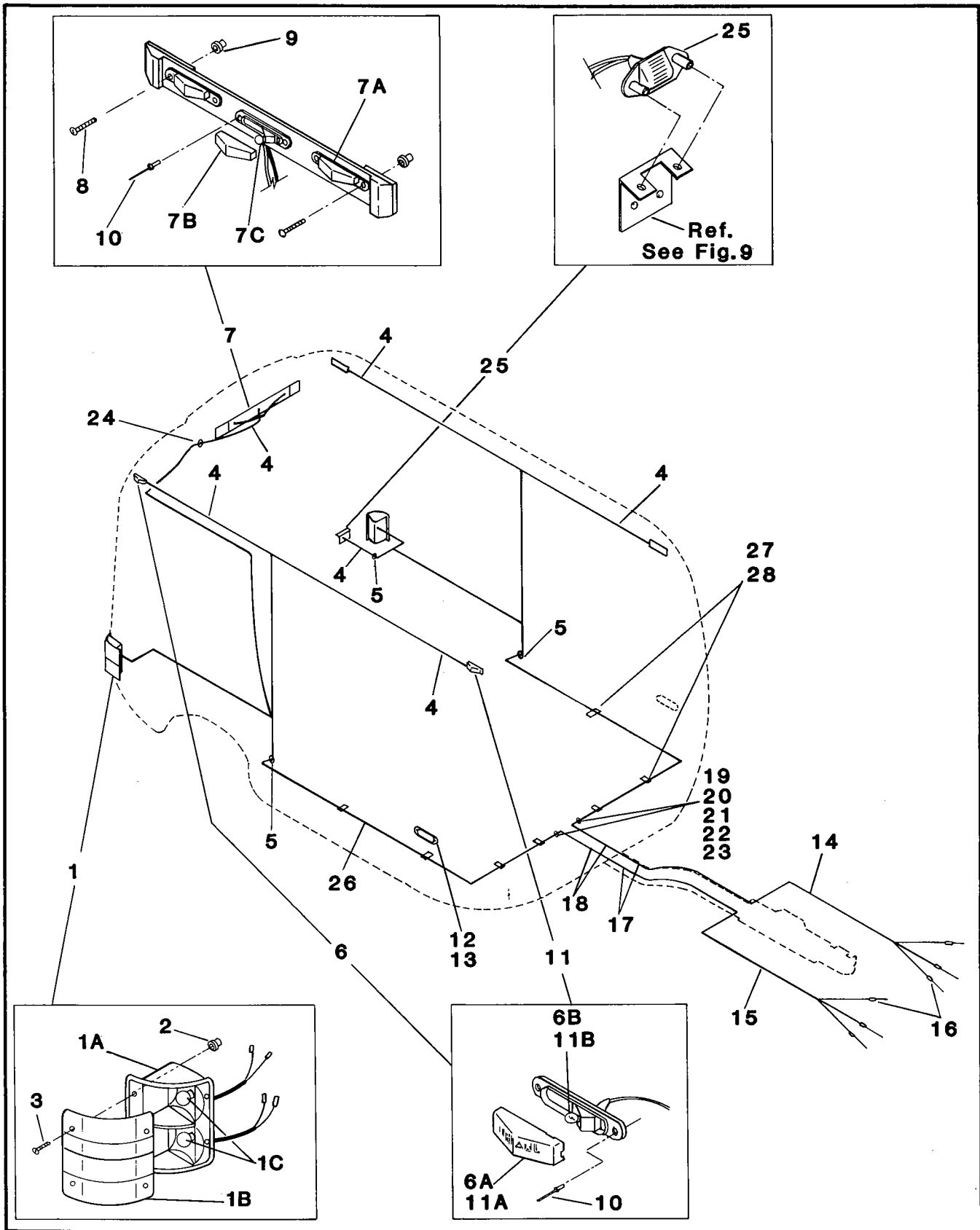


Figure 1. Running Lights and Wiring

Fig. & Item No.	Amercode Part No.	Part Description	Qty. Per Assy.	Usable On Code
RUNNING LIGHTS AND WIRING				
1-	49441-001	WIRE SCHEM. EXT. CT	Ref	
-	44125-031	.HARNESS ASSY, Ext Lights LH CT	Ref	
-	44125-030	.HARNESS ASSY, Ext Lights RH CT	Ref	
1-1	28247-007	.LIGHT, Red/Amber RH	1	
-	28247-008	.LIGHT, Red/Amber LH	1	
-1A	28262-001	.HOUSING ASSEMBLY, Tail Light	2	
-1B	28558-013*	.LENS, Red/Amber Rect	1	
-1C	28205-001*	.BULB, #1034	2	
-2	20075-006*	.INSERT, Nylon	22	
-3	20311-024*	.SCREW, Self Tap #8 PNH x 1/2	14	
-4	26532-501*	.CONNECTOR, Parallel	2	
-5	21982-022*	.GROMMET, Rubber 3/8 ID	1	
-6	28245-011	.LIGHT, Red 3/4 x 3-1/2	2	
-6A	28558-012*	.LENS, Red	1	
-6B	28203-007*	.BULB, No. 194	1	
-7	44136-009	.BAR ASSY, Light	1	
-7A	28245-003	.LIGHT, Red 3/4 x 3-1/2	3	
-7B	28558-012*	.LENS, Red	1	
-7C	28203-007*	.BULB, No. 194	1	
-8	20651-060*	.SCREW, Mach #10-24 Pan Hd x 1-1/2	2	
-9	20954-017*	.NUT, Insert Rubber #10-24	2	
-10	20067-002*	.RIVET, Blind Alum 3/16 x .720	4	
-11	28245-010	.LIGHT, Amber 3/4 x 3-1/2	2	
-11A	28558-011*	.LENS, Amber	1	
-11B	28203-007*	.BULB, No. 194	1	
-12	28551-003	.REFLECTOR, Amber	2	
-13	20311-027*	.SCREW, Self Tap #8 PNH x 3/4	2	
-14	21960-020*	.TIE, Marker Left	1	
-15	21960-019*	.TIE, Marker Right	1	
-16	26668-502*	.PLUG, Terminal Male	8	
-17	26668-506*	.CONNECTOR, Wire/Female Insul	6	
-18	21982-017*	.GROMMET, Rubber	4	
-19	26640-010*	.TERMINAL, Wire Ring Tongue	2	
-20	20086-002*	.WASHER, Lock 1/4	2	
-21	20908-011*	.NUT, Hex Lock 1/4-20	2	
-22	20710-046*	.SCREW, Cap 1/4-20 Hex x 1	2	
-23	20080-001*	.WASHER, Flat 1/4	2	
-24	21982-023*	.GROMMET, Rubber 3/8 ID	1	
-25	28249-001	.LIGHT, License	1	
-26	10032-010	.WIRE, 18/3 Insul Bulk	AR	
-27	21963-032	.CLIP, Insulated Closed	7	
-28	20311-005*	.SCREW, Self Tap #12 Pan Head x 1/2	7	
*Production Supplies and Minor Parts. Do not report on Repair Statement.				

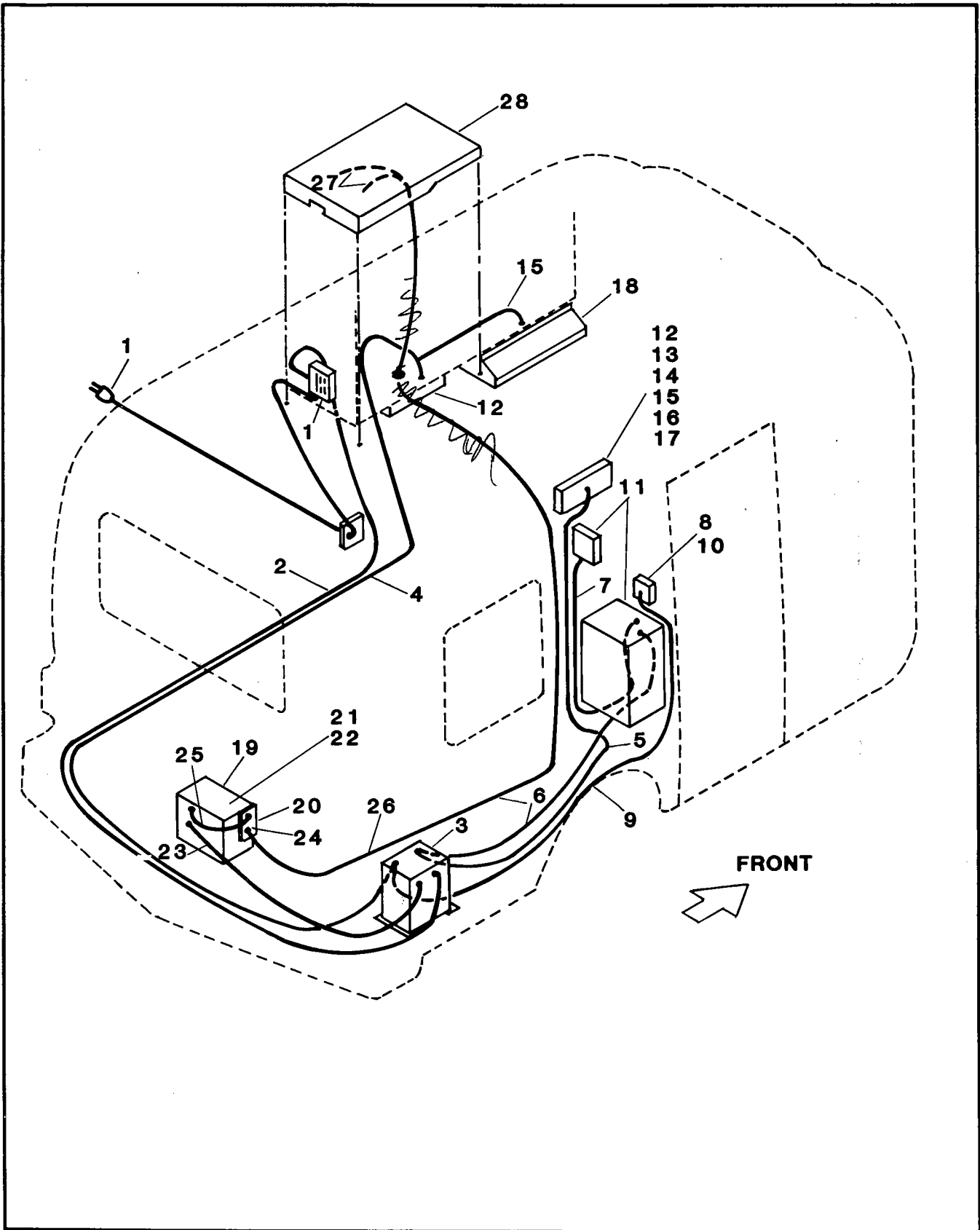


Figure 2. Interior Electrical Wiring (115/12v)

Fig. & Item No.	Amercode Part No.	Part Description	Qty. Per Assy.	Usable On Code
		INTERIOR ELECTRICAL WIRING (115/12V)		
2-	49412-003	WIRING PROC, Int Ct	Ref	
2-1	26711-001	.RECEPTACLE, Duplex W/CB . (See figure 2A) . .	1	
-2	44111-031	.WIRE ASSY, 210 x 14-3 (SJO Wht,Blk,Grn) . . .	1	
-3	26026-001	.CONVERTER/BATTERY Charger . (See figure 2B) .	1	
-4	44124-003	.HARNESS ASSY, Intr LHS (SJO 18-2 yellow & wht)	1	
-5	38341-024	.WIRE, 18-2 x 110 (yellow & white SJO)	1	
-6	38341-033	.WIRE, 18-2 x 68 (yellow & white SJO)	1	
-7	38343-001	.Wire, 14-2 x 68 (yellow & white SJO)	1	
-8	52351-001	.BATTERY Tester	1	
-9	44112-033	.WIRE ASSY, W/Term x 76 (18-2 SJO)	1	
-10	20066-009*	.RIVET, Blind Cle A1 3/16 x .720	4	
-11		.HEATER THERMOSTAT	Ref	
-12	28245-009	.LIGHT, Florescent 8 Watt	2	
-13	21982-023*	.GROMMET, Rubber 3/8 ID	7	
-14	26532-501*	.CONNECTOR, Parallel	8	
-15	20651-035*	.SCREW, Mach #8-32 PNH x 3/4	4	
-16	20080-045*	.WASHER, Flat #8 Wide	8	
-17	20908-016*	.NUT, Hex Lock #8-32	4	
-18		.RANGE HOOD	Ref	
-19		.BOX ASSY, Battery CT	Ref	
-20	26017-002	.BATTERY, 12V Deep Cycle	1	
-21	44111-030	.WIRE ASSY, 6-1/2 x 8 Ga White	1	
-22	44111-032	.WIRE ASSY, 6-1/2 x 8 Ga Yellow	1	
-23	44112-034	.HARNESS ASSY, X 48 (8 Ga Yellow & White) . . .	1	
-24	27101-002	.REGULATOR, Voltage	1	
-25	44111-029	.WIRE ASSY, 20 x 14-2	1	
-26	44112-041	.WIRE ASSY, x 162 (SJO 14-2 Yellow & White) . .	1	
-27	26672-009	. TERMINAL, Snap-in 14 Ga Pos (For alt Solar Pnl)	2	
-28		.PANEL ASSY, Solar (see figure 18)	Ref	
		*Production Supplies and Minor Parts. Do not report on Repair Statement.		

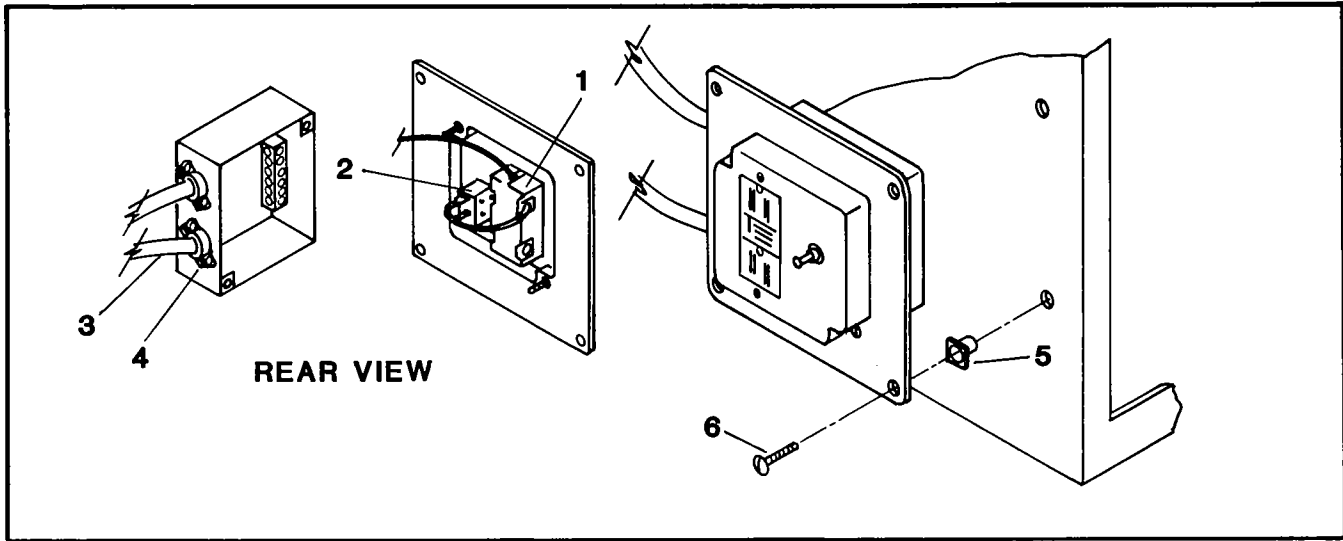


Figure 2A. 115v Receptacle/GFCI

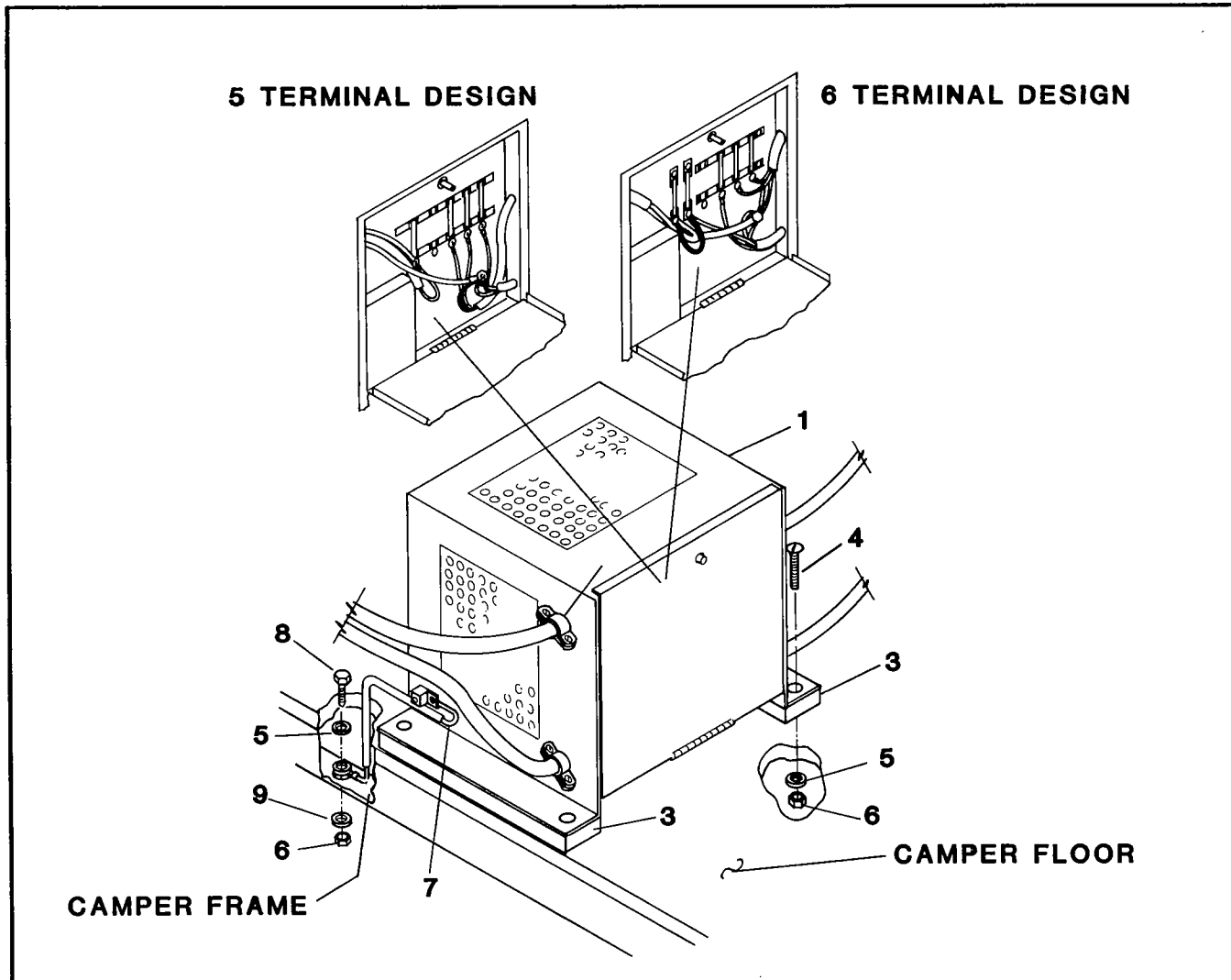


Figure 2B. Power Converter

Fig. & Item No.	Amercode Part No.	Part Description	Qty. Per Assy.	Usable On Code
115v RECEPTACLE & POWER CONVERTER				
2A-1	26711-001	RECEPTACLE, Duplex W/CB	Ref	
-2	27032-002	.CIRCUIT INT, Ground Fault	1	
-3		. .CORD, Shore 14-3 x 25 ft	1	
-4	21982-020*	.GROMMET/CONN, Strain Relief	2	
-5	20075-006*	.INSERT, Nylon	4	
-6	20651-056	.SCREW, Mach #10-24 PNH x 3/4	4	
2B-1	26026-001	.CONVERTER/BATTERY Charger 12v	Ref	
-2	21982-020*	.GROMMET/CONN, Strain Relief	4	
-3	38124-012	.PAD, Rubber Mtg	2	
-4	20654-007*	.SCREW, Mach 1/4-20 Pan HD x 1-1/2	4	
-5	20080-001*	.WASHER, Flat 1/4	5	
-6	20908-011*	.NUT, Hex Lock 1/4-20	5	
-7	44111-035	.WIRE ASSY, 8 GA x 30	1	
-8	20710-046*	.SCREW, Cap 1/4-20 Hex x 1	1	
-9	20086-002*	.WASHER, Lock 1/4	1	
*Production Supplies and Minor Parts. Do not report on Repair Statement.				

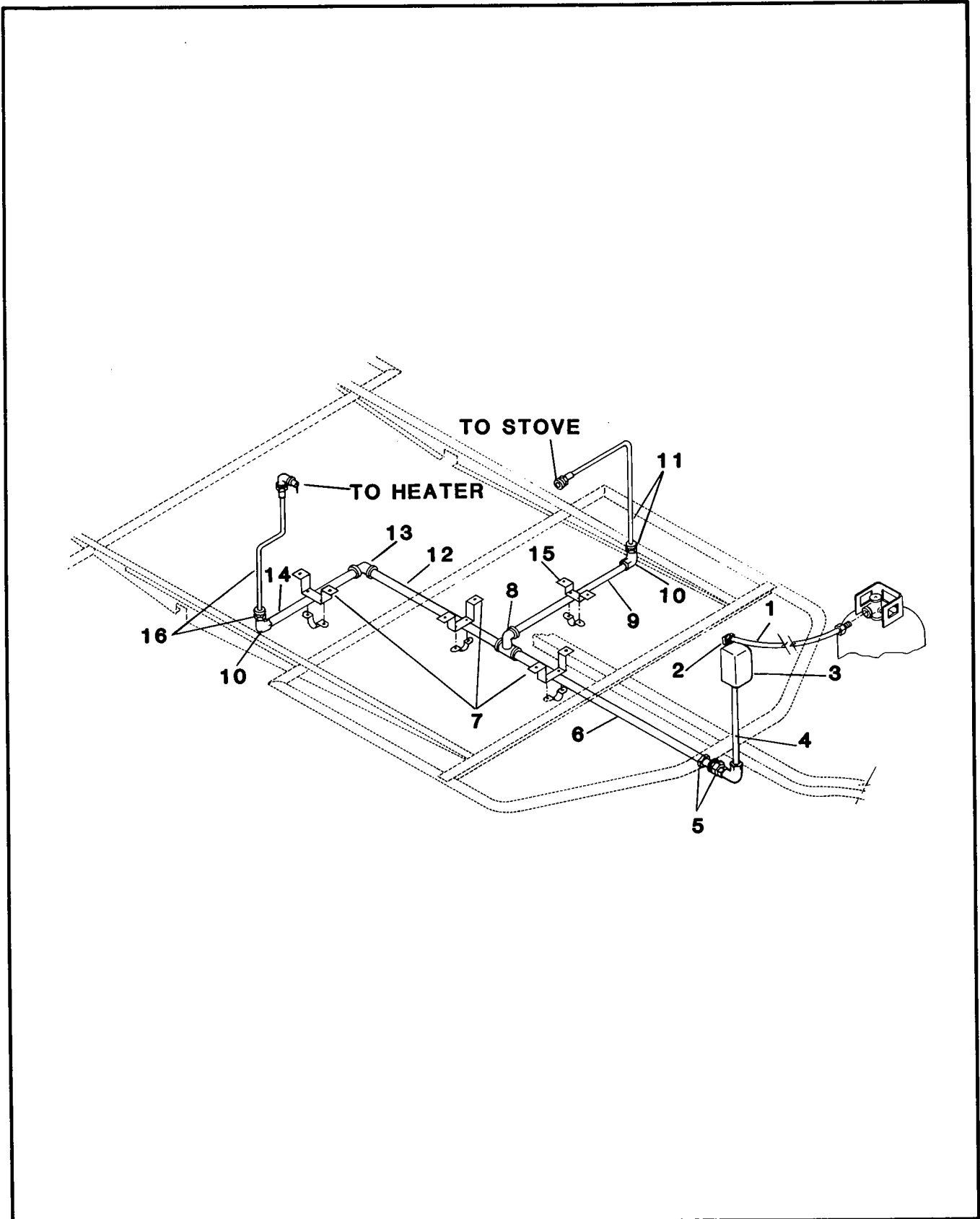


Figure 3. Propane Gas Line Installation

Fig. & Item No.	Amercode Part No.	Part Description	Qty. Per Assy.	Usable On Code
PROPANE GAS LINE INSTALLATION				
3-	44545-016	LINE INSTAL, Gas CT	Ref	
3-1	24876-016	.HOSE, High Press Gas	1	
3-2	24643-003	.ELBOW, Brass 1/4	1	
-3	25252-001	.REGULATOR, Gas Pressure (see figure 3A) . . .	Ref	
-4	24876-012	.HOSE, Low Press Gas	1	
-5		.BULKHEAD ASSY (see figure 3B)	Ref	
-6	31381-008	.PIPE, Black x 39.25	1	
-7	36316-008	.BRACKET, Mounting (see figure 3C)	Ref	
-8	24612-004	.ELBOW, 3/8	1	
-9	31381-007	.PIPE, Black x 27.38	1	
-10	24643-004	.ELBOW, Brass 3/8	2	
-11	44545-014	.TUBE ASSY, Gas Line CT (see figure 3D)	Ref	
-12	31381-009	.PIPE, Black x 14.62	1	
-13	24612-003	.ELBOW, 3/8	1	
-14	31381-006	.PIPE, Black x 16.12	1	
-15	36316-009	.BRACKET, Mounting (see figure 3C)	Ref	
-16	44545-015	.TUBE ASSY, Gas Line CT (see figure 3E)	Ref	
*Production Supplies and Minor Parts. Do not report on Repair Statement.				

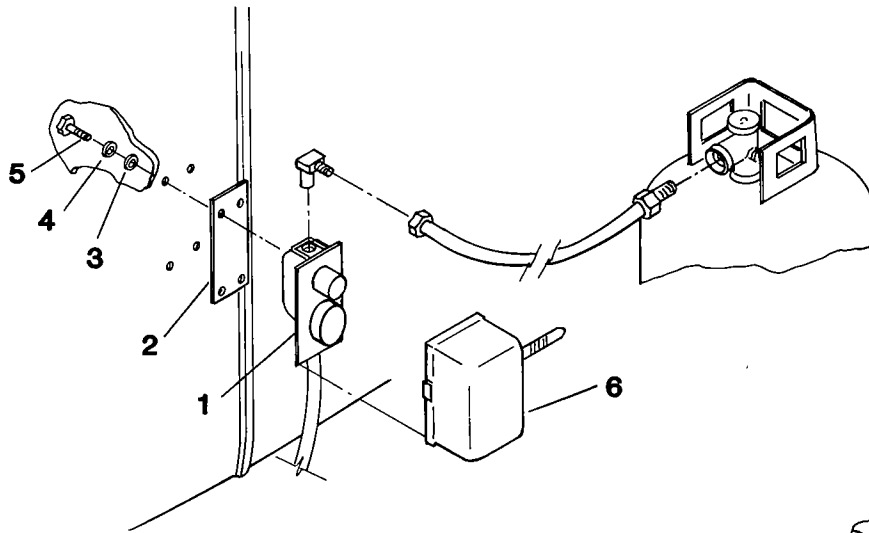


Figure 3A

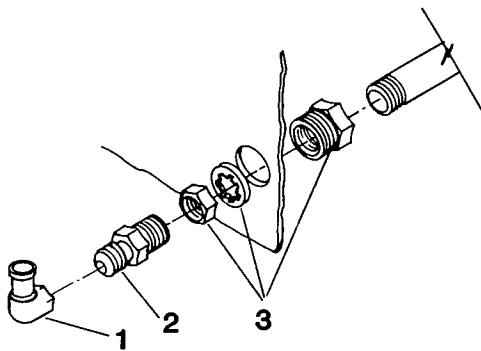


Figure 3B

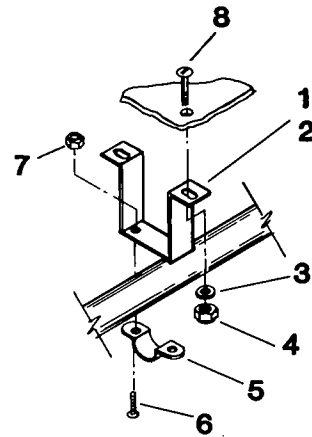


Figure 3C

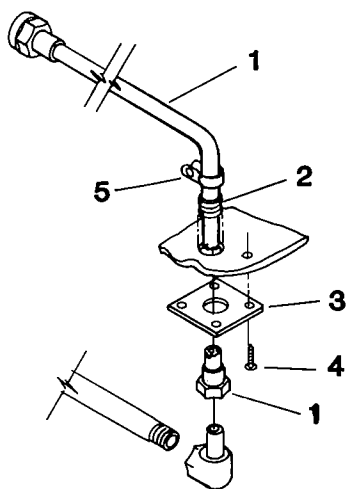


Figure 3D

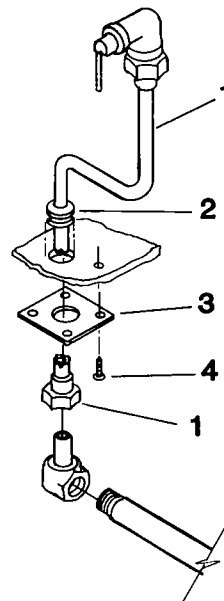


Figure 3E

Figure 3A - 3E. Propane Gas Line Assemblies

Fig. & Item No.	Amercode Part No.	Part Description	Qty. Per Assy.	Usable On Code
PROPANE GAS LINE ASSEMBLIES				
3A		REGULATOR ASSEMBLY	Ref	
3A-1	25252-001	REGULATOR, Gas Pressure	1	
-2	38123-010	GASKET, Rubber	1	
-3	20080-019*	WASHER, Flat #10	4	
-4	20084-004*	WASHER, Lock #10	4	
-5	20651-056	SCREW, Mach 10-24 PNH x 3/4	4	
-6	25252-002	COVER, Regulator	1	
3B		BULKHEAD ASSEMBLY	Ref	
3B-1	24552-001	ELBOW, Swivel 45 degree Flare	1	
-2	24641-008	NIPPLE, Brass 3/8	1	
-3	24694-003	FITTING, Bulkhead	1	
3C		BRACKET ASSEMBLIES	Ref	
3C-1	36316-008	BRACKET, Mounting	3	
-2	36316-009	BRACKET, Mounting	1	
-3	20080-001*	WASHER, Flat	2	
-4	20908-011*	NUT, Hex Lock 1/4-20	2	
-5	21963-036	HANGER, Pipe 3/8	1	
-6	20651-054*	SCREW, Mach #10-24 PNH x 1/2	2	
-7	20908-018*	NUT, Hex Nylon Lock #10	2	
-8	20855-001*	BOLT, Elevator 1/4 FL HD CSK x 1-1/2	2	
3D-1	44545-014	TUBE ASSY, Gas Line CT (Stove)	1	
-2	21982-018	GROMMET, Rubber 3/8 ID	1	
-3	33361-051	SHEET, Tube Support	1	
-4	20311-009*	SCREW, Self Tap #10 RD HD x 3/4	4	
-5	21963-032	CLIP, Insulated Closed	1	
3E-1	44545-015	TUBE ASSY, Gas Line CT (Heater)	1	
-2	21982-018	GROMMET, Rubber 3/8	1	
-3	33361-051	SHEET, Tube Support	1	
-4	20311-009*	SCREW, Self Tap #10 RD HD x 3/4	1	
*Production Supplies and Minor Parts. Do not report on Repair Statement.				

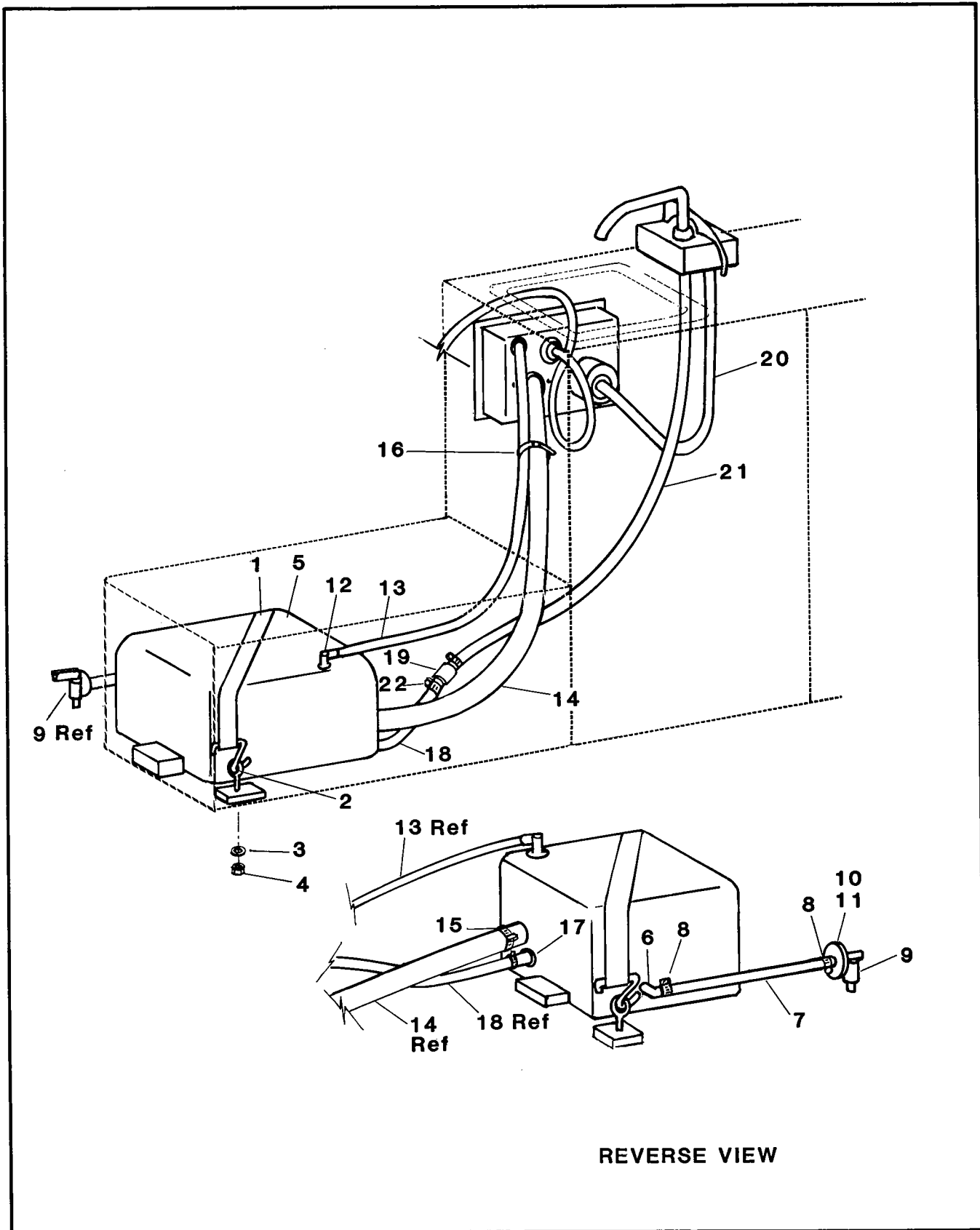


Figure 4. Potable Water System

Fig. & Item No.	Amercode Part No.	Part Description	Qty. Per Assy.	Usable On Code
POTABLE WATER SYSTEM				
4-	44546-001	PLUMBING, LOCATION /INSTALLATION	Ref	
4-1	21960-010	.CORD, Tie Down	1	
-2	21924-002*	.HOOK, Eyelet 1/4-20	2	
-3	20080-044*	.WASHER, Flat 1/4 Wide	22	
-4	20908-011*	.NUT, Lock 1/4-20	2	
-5	25611-003	.TANK, Water	1	
-6	24834-004	.CONNECTOR, Hose Elbow 3/8	1	
-7	38421-022	.TUBE, Plastic 3/8 x 15	1	
-8	21962-008	.CLAMP, Hose 3/8 Dia	4	
-9	25172-001	.PETCOCK, Drain	1	
-10	20075-006*	.INSERT, Nylon	2	
-11	20311-024*	.SCREW, Self Tap #8 PNH x 1/2	2	
-12	24834-003	.CONNECTOR, Hose Elbow 1/4	1	
-13	38421-012	.TUBE, Plastic x 48	1	
-14	24254-001	.TUBE, Plastic Flexible 1-1/4 ID	1	
-15	21962-014	.CLAMP, Hose #20	2	
-16	21960-004*	.STRAP, Tie Down	2	
-17	24771-002	.FITTING, Male	1	
-18	34821-016	.TUBE, Plastic 3/8 ID x 12	1	
-19	25211-003	.VALVE, Check	1	
-20	24251-009	.TUBE, Plastic 3/8 ID x 48	1	
-21	38421-023	.HOSE, High Press 1/2 ID	1	
-22		.CLAMP, Hose 1/2 Dia	2	
*Production Supplies and Minor Parts. Do not report on Repair Statement.				

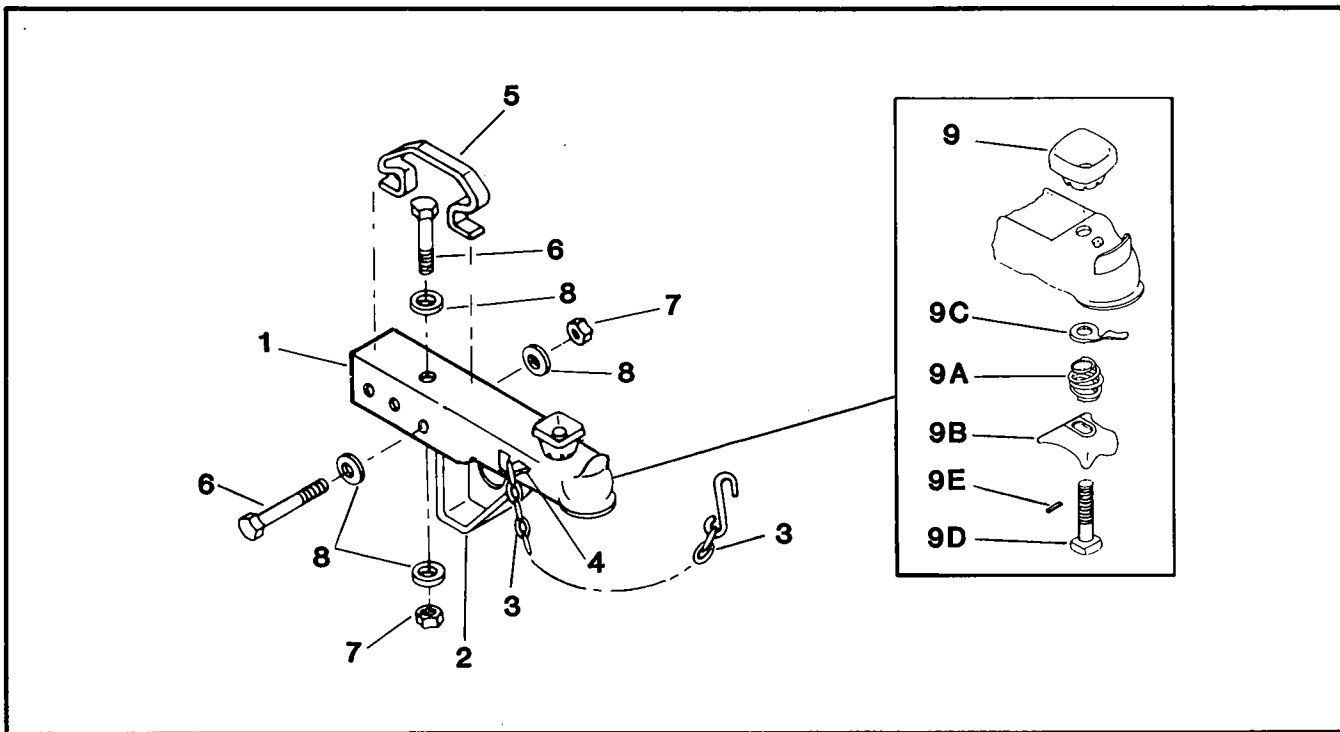


Figure 5. Coupler Assembly

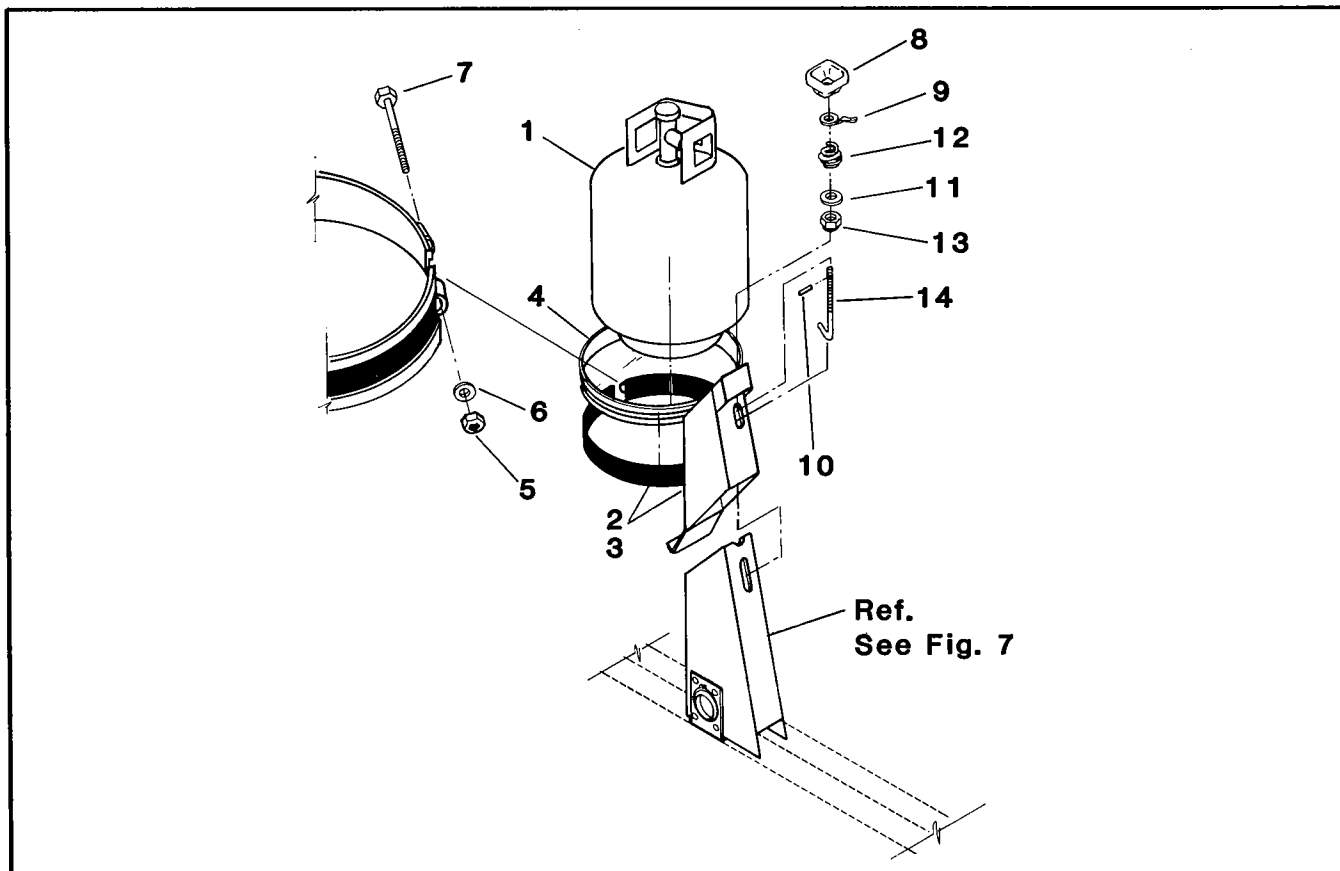


Figure 6. Propane Bottle Assembly

Fig. & Item No.	Amercode Part No.	Part Description	Qty. Per Assy.	Usable On Code
COUPLER AND PROPANE BOTTLE ASSEMBLIES				
COUPLER ASSEMBLY				
5-1	41576-028	COUPLER ASSY, Final	1	
-2	36352-003	.SUPPORT, Tongue	1	
-3	41931-004	.CHAIN ASSY, 23 Link	2	
-4	34328-001	.PLATE, Anchor	2	
-5	36571-001	.HOLDER , Wire	1	
-6	21111-017*	.SCREW, Cap 1/2-20 Hex x 3-3/4	4	
-7	21183-003*	.NUT, Hex Lock 1/2-20	4	
-8	20080-036*	.WASHER, Flat 1/2	2	
-9	22067-011*	.HANDWHEEL ASSY	1	
-9A	22067-007*	.SPRING, Compression Coupler	1	
-9B	22067-006*	.CLAMP, Coupler Ball	1	
-9C	22067-004*	.LATCH, Coupler Safety	1	
-9D	20820-023*-	.BOLT, 5/8-11 Sq Hd x 3 Spcl	1	
-9E	20020-006*	.PIN, Spring 1/8 x 3/4	1	
PROPANE BOTTLE ASSEMBLY				
6-1	63654-015	.TANK, LP Gas 20 Lbs CT	1	
-2	42314-008	.HOLDER ASSY, Propane Bottle	1	
-3	41948-001	.STRAP ASSY, Propane Bottle	1	
-4	13914-001	.EXTR, C-Channel Rubber	AR	
-5	20908-019*	.NUT, Hex Lock 3/8-16	1	
-6	20080-022*	.WASHER, Flat 3/8	1	
-7	20710-015*	.SCREW, Cap 3/8-16 Hex x 5	1	
-8	22067-011*	.HANDWHEEL ASSY	1	
-9	22067-004*	.LATCH, Coupler Safety	1	
-10	20020-006*	.PIN, Spring 1/8 x 3/4	1	
-11	20080-016*	.WASHER, Flat 5/8	1	
-12	22067-007*	.SPRING, COMPRESSION COUPLER	1	
-13	20900-011*	.NUT, Hex 5/8-11	1	
-14	20871-003	.BOLT, J Mod 5/8-11 x 6	1	
*Production Supplies and Minor Parts. Do not report on Repair Statement.				

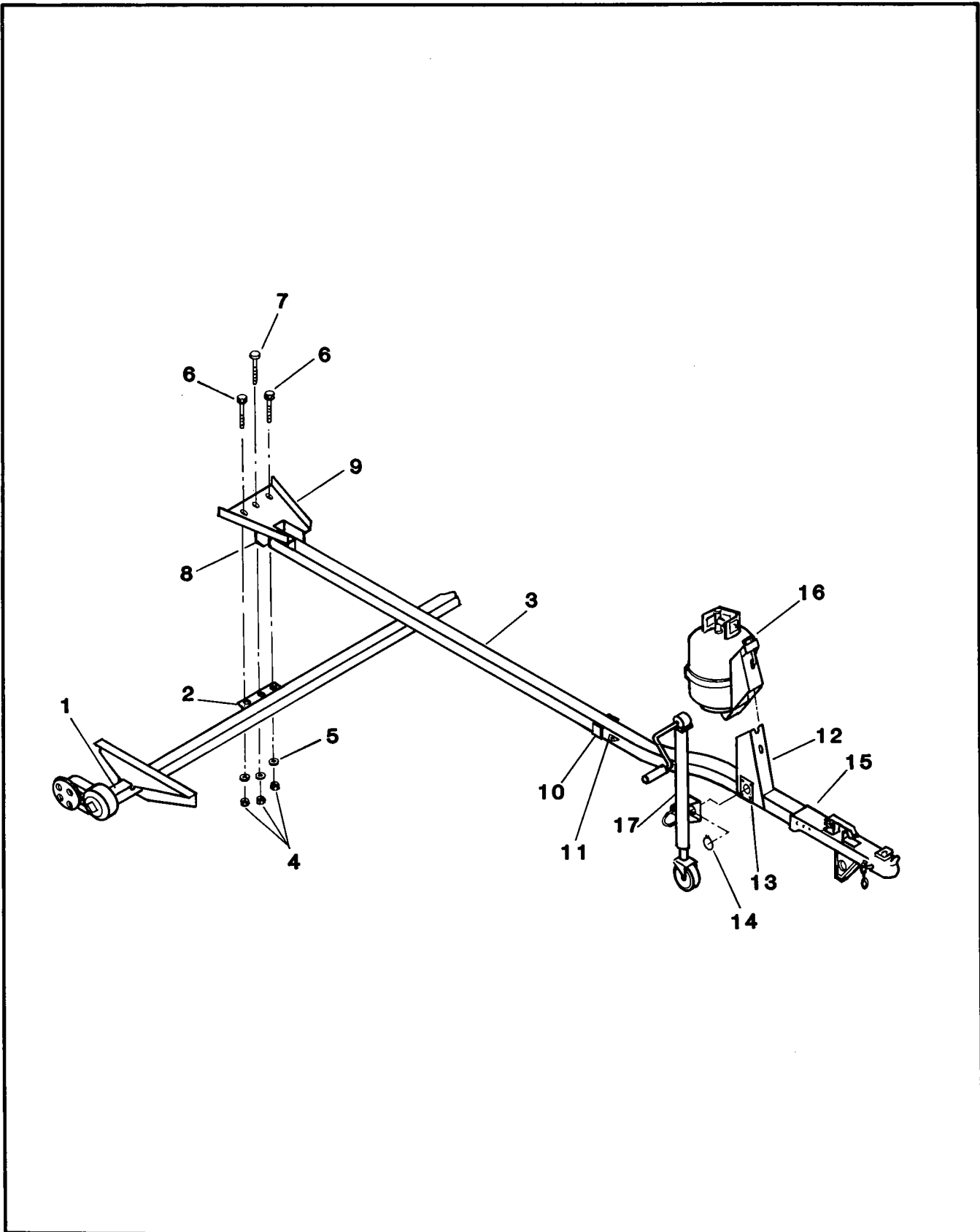


Figure 7. Tongue and Axle Assembly

Fig. & Item No.	Amercode Part No.	Part Description	Qty. Per Assy.	Usable On Code
TONGUE AND AXLE ASSEMBLY				
7-1	23469-007	.AXLE ASSY, Torsion	1	
-2	35212-009	.ANGLE, Steel 3/16 x 2 x 2 x 8 Inches	1	
-3	41572-006	.TONGUE ASSY, Curved	1	
-4	20908-028	.NUT, Hex Lock 1/2-13	3	
-5	20080-021*	.WASHER, Flat 1/2	3	
-6	20711-018*	.SCREW, Cap 1/2-13 x 1-1/4	2	
-7	20710-036*	.SCREW, Cap 1/2-13 Hex x 2	1	
-8	33312-020	.STRIP, Mounting	2	
-9	33731-009	.STRIP, Support Tongue Mtg	1	
-10	36761-030	.PLATE, Tongue Mtg	1	
-11	32527-001	.RING, Triangle	2	
-12	35562-016	.CHANNEL, Support	1	
-13	21905-012	.BRACKET, Jack Mtg	1	
-14		.RING, Retainer	1	
-15	41576-028	.COUPLER ASSY, Support (see figure 5)	Ref	
-16		.BOTTLE ASSY, Propane (see figure 6)	Ref	
-17	22031-007	.JACK, Tongue (w/wheel)	1	
*Production Supplies and Minor Parts. Do not report on Repair Statement.				

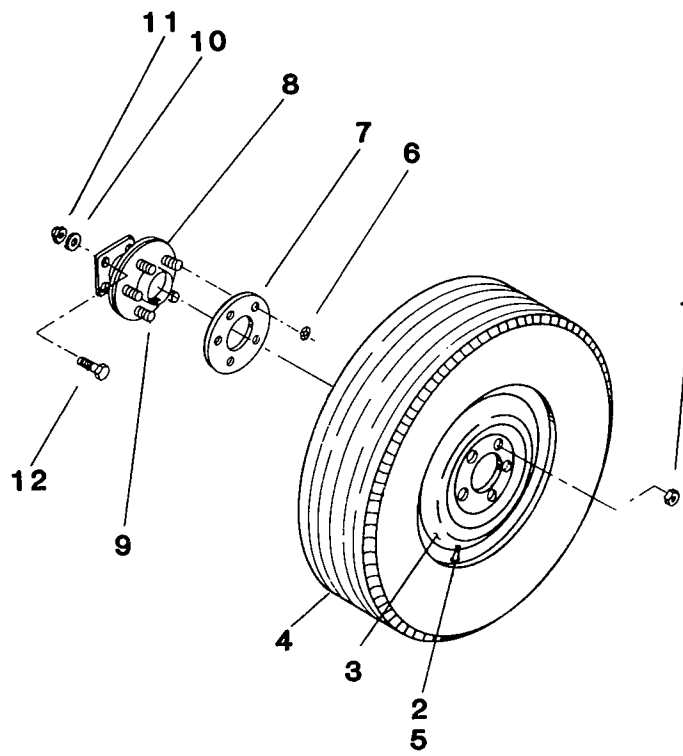


Figure 8. Hub and Wheel Assembly

Fig. & Item No.	Amercode Part No.	Part Description	Qty. Per Assy.	Usable On Code
HUB AND WHEEL ASSEMBLY				
8-	45317-006	WHEEL ASSY, 4.50 x 13 (metric)	Ref	
8-1	23487-017	.NUT, Lug M12 x 1.5 (metric)	10	
-2	25217-003	. VALVE ASSEMBLY, Tire 0.453 inch dia	1	
-3	23516-006	. RIM, Wheel 4.50 x 13 (metric)	1	
-4	23556-038	. TIRE, 4.50 x 13 x 6/C-ply Type TL	1	
-5	25332-001*	. CAP, Valve	1	
-6	20075-002*	.PUSHNUT, 12 mm	6	
-7	31345-006	.ADAPTER, Hub	2	
-8	23484-001	.HUB/SPINDLE ASSEMBLY, Group No. 5475	2	
-9	23487-018	.STUD, M12 X 1.5 (metric)	10	
-10	20080-030*	.WASHER, Flat 7/16 inch ID	8	
-11	20908-020*	.LOCKNUT, Hex 7/16-14	8	
-12	20712-004*	.SCREW, Hex Cap 7/16-14 x 1-3/4	8	
*Production Supplies and Minor Parts. Do not report on Repair Statement.				

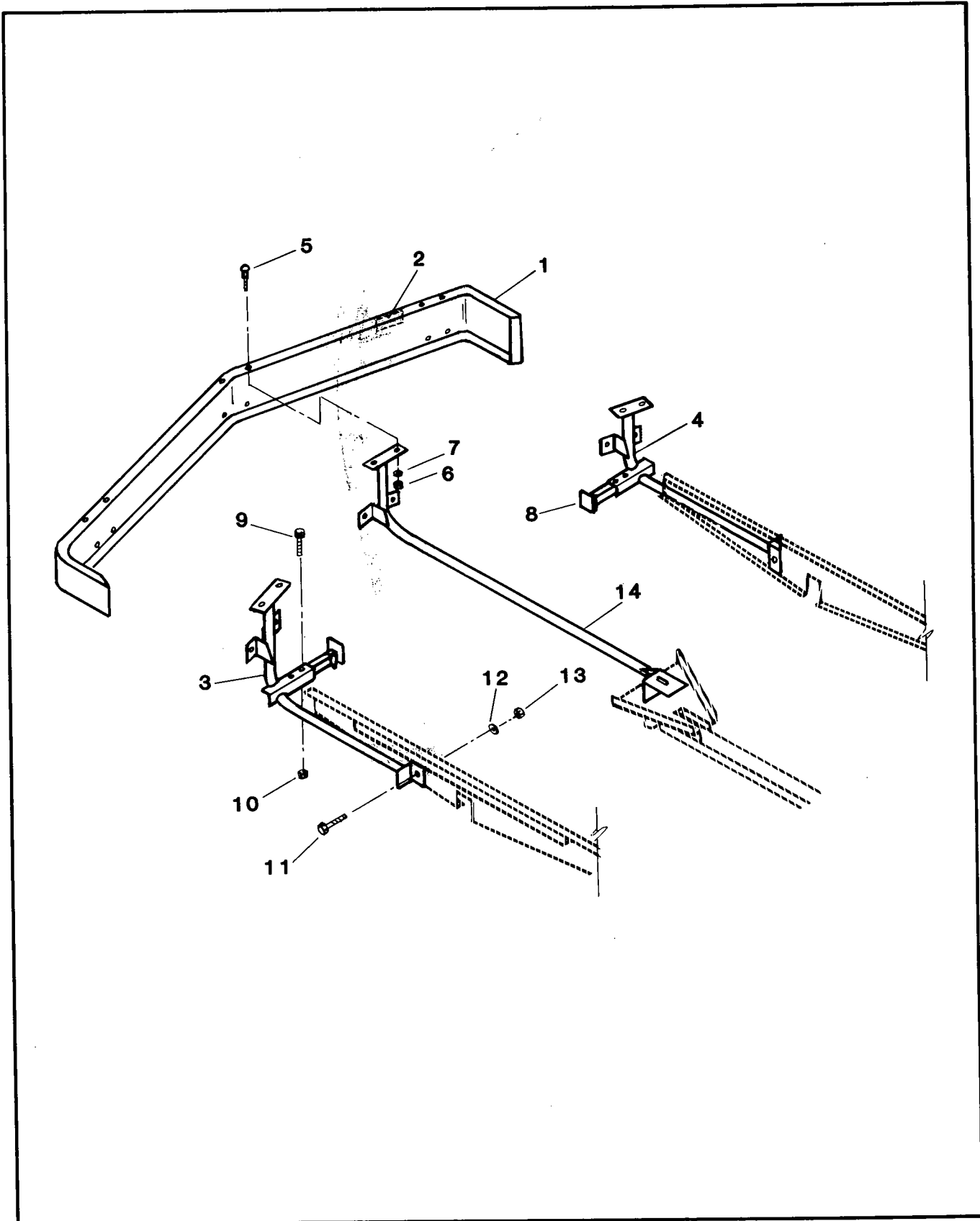


Figure 9. Bumper/Support Assembly

Fig. & Item No.	Amercode Part No.	Part Description	Qty. Per Assy.	Usable On Code
BUMPER/SUPPORT ASSEMBLY				
9-1	43216-008	BUMPER ASSY, AL x 79 w/Light	1	
-2	35434-007	.Bracket, License Light	1	
-3	42221-024	.SUPPORT ASSY, Bumper RH	1	
-4	42221-025	.SUPPORT ASSY, Bumper LH	1	
-5	20831-020*	.BOLT, 3/8 Rd Hd Sq Nk x 1-1/4	6	
-6	20908-019*	.NUT, Hex Lock 3/8-16	6	
-7	20080-022*	.WASHER, Flat 3/8	6	
-8	52461-009	.JACK STAND, Modified	2	
-9	20651-053*	.SCREW, Mach #12-24 Hex x 3/4	4	
-10	20908-030	.NUT, Hex #12-24	4	
-11	20711-018*	.SCREW, Cap 1/2-13 Hex x 1-1/4	2	
-12	20080-021*	.WASHER, Flat 1/2	2	
-13	20908-028	.NUT, Hex Lock 1/2-13	2	
-14	42221-026	.SUPPORT ASSY, Bumper	1	
*Production Supplies and Minor Parts. Do not report on Repair Statement.				

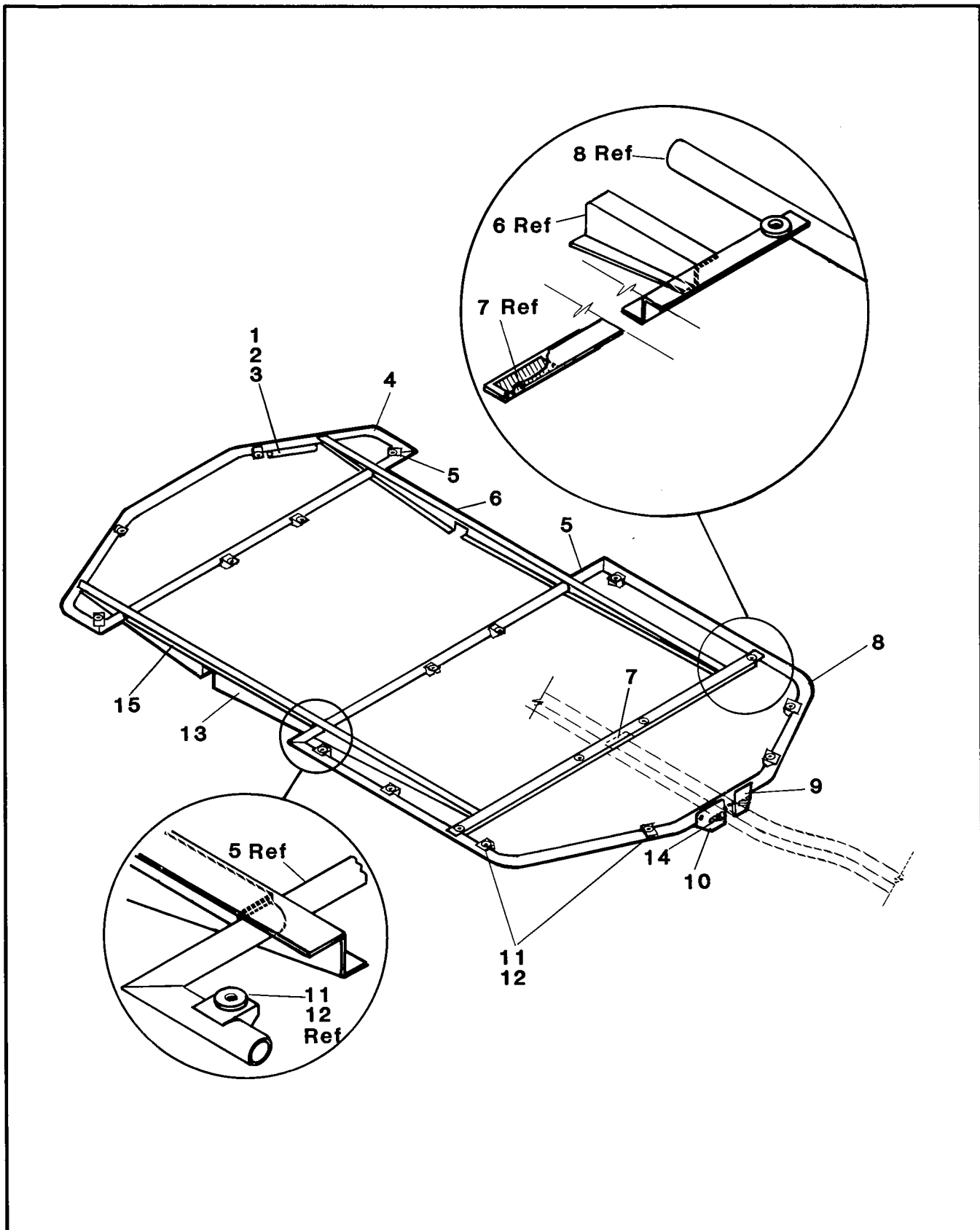


Figure 10. Frame Assembly

Fig. & Item No.	Amercode Part No.	Part Description	Qty. Per Assy.	Usable On Code
		FRAME ASSEMBLY		
10-	42177-002	FRAME ASSY, Camper Trailer	Ref	
10-1	43863-008	.TUBE ASSY, Log	1	
-2	21989-001*	.LINER-CAP, Log Tube	1	
-3	25881-004*	.PLUG, Tube Sched 40	2	
-4	32641-009	.TUBE, Frame Member Rear	1	
-5	31333-015	.TUBE, Crossmember	2	
-6	36761-029	.SILL, Frame Intmd LH	1	
-7	38621-011	.PLATE, U-Haul Property	2	
-8	32641-010	.TUBE, Frame Member Front	1	
-9	42159-008	.SUPPORT ASSY, Tongue	1	
-10	42159-007	.SUPPORT ASSY, Mtg	1	
-11	23715-001	.PAD, Rubber	19	
-12	10751-007	.ADHESIVE, Weatherstrip	AR	
-13	36761-028	.SILL, Frame Intmd RH	1	
-14	32527-001	.RING, Triangle	2	
-15	35956-023	.TUBE, Rect Stl	2	
		*Production Supplies and Minor Parts. Do not report on Repair Statement.		

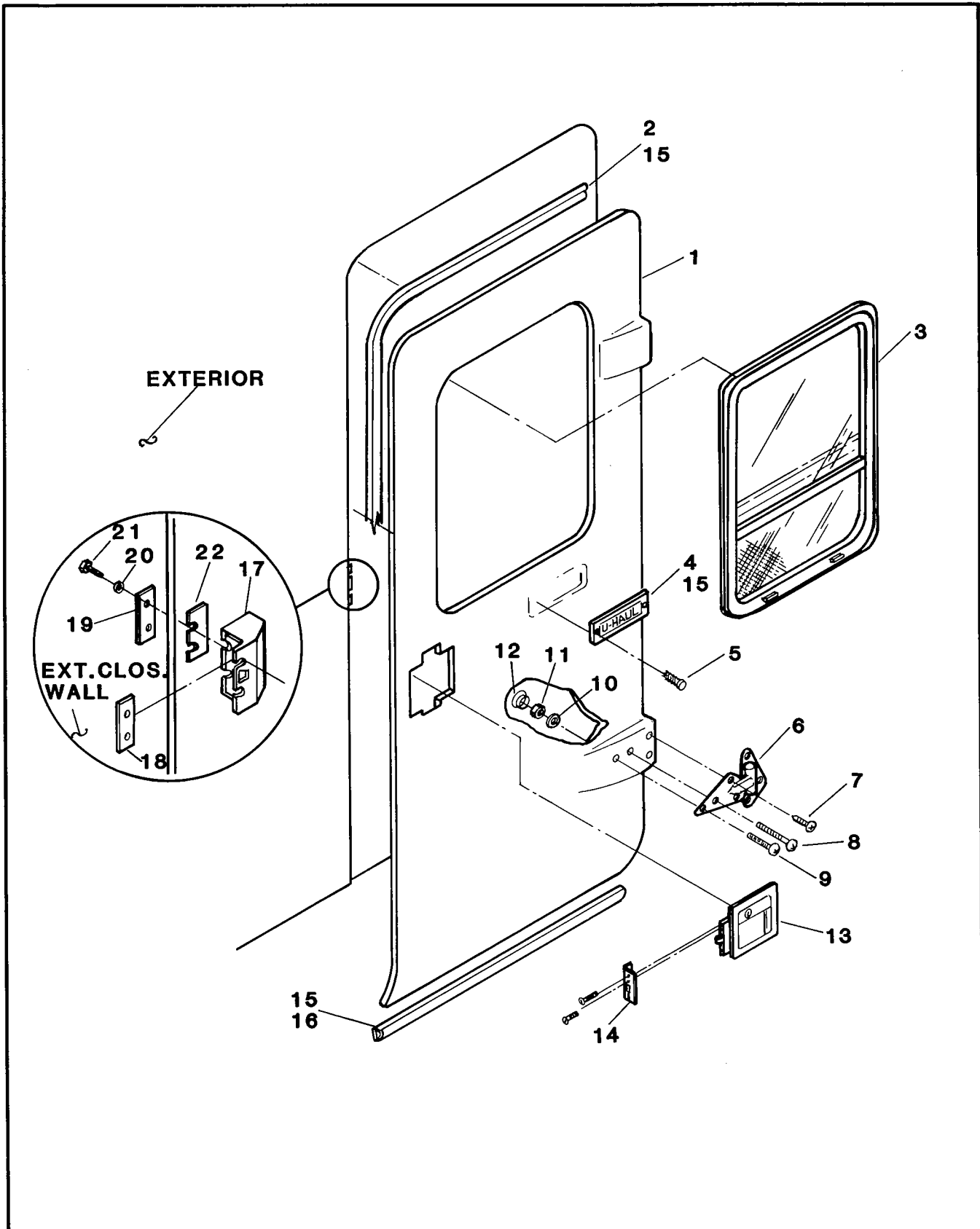


Figure 11. Door Assembly

Fig. & Item No.	Amercode Part No.	Part Description	Qty. Per Assy.	Usable On Code
DOOR ASSEMBLY				
11-	43148-009	DOOR INSTL, Camper Trailer	Ref	
11-1	43148-010	.SKIN ASSY, Door Camper Trailer	1	
-2	38455-003	.EXTR, Door Seal	1	
-3	21807-003	.WINDOW, 14 x 19-1/4 W/Screen (see figure 14) .	1	
-4	38124-011	.STOP, Door	1	
-5	20001-001*	.CLIP, Christmas Tree	2	
-6	21822-003	.HINGE, Door	2	A, B
-	21822-001	.HINGE, Door	2	B
-7	20604-018	.SCREW, Machine #10-24 OVH x 2-1/4	8	
-8	20604-017	.SCREW, Machine #10-24 OVH x 2	2	
-9	20311-041	.SCREW, Self Tap #10 OVH x 1	4	
-10	20080-019*	.WASHER, Flat #10	10	
-11	20908-018*	.NUT, Hex Nylon Lock #10-24	10	
-12	21980-023	.PLUG, Plastic 1"	7	
-13	21840-018	.LATCH, Door	1	
-14	36978-002	.COVER, Door Latch	1	
-15	38456-007	.EXTR, Threshold Seal	1	
-16	10751-005*	.ADHESIVE, Self Vulcanizing	AR	
-17	37331-007	.STRIKER, Door	1	
-18	33318-007	.BAR, Stl	1	
-19	33325-026	.STRIP, Stl	1	
-20	20084-009*	.WASHER, Lock 5/16	2	
-21	20711-025*	.SCREW, Cap 5/16-18 Hex X 1-3/4	1	
-22	34391-004	.SHIM	1	
*Production Supplies and Minor Parts. Do not report on Repair Statement.				

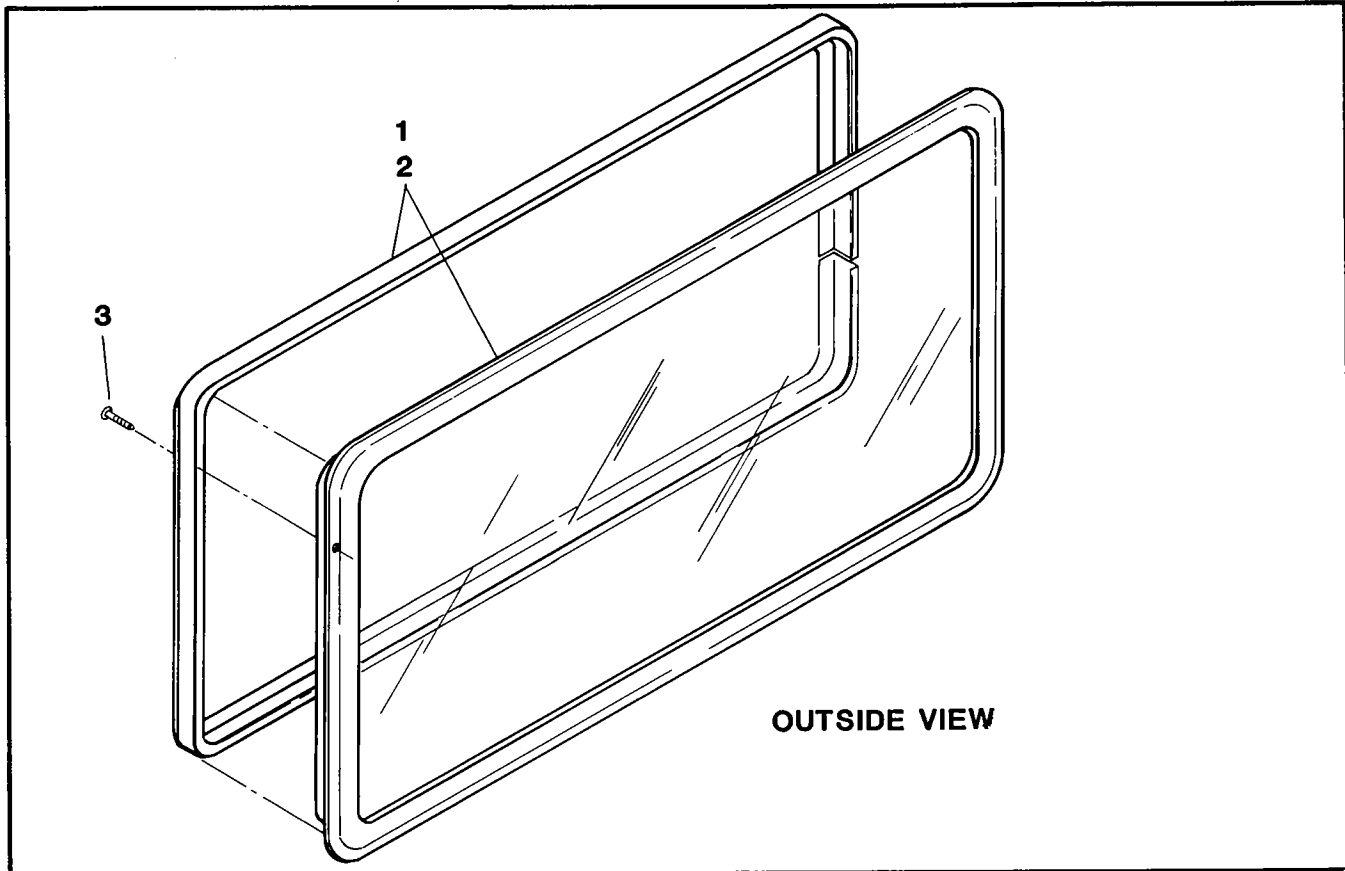


Figure 12. Window Assembly, Front

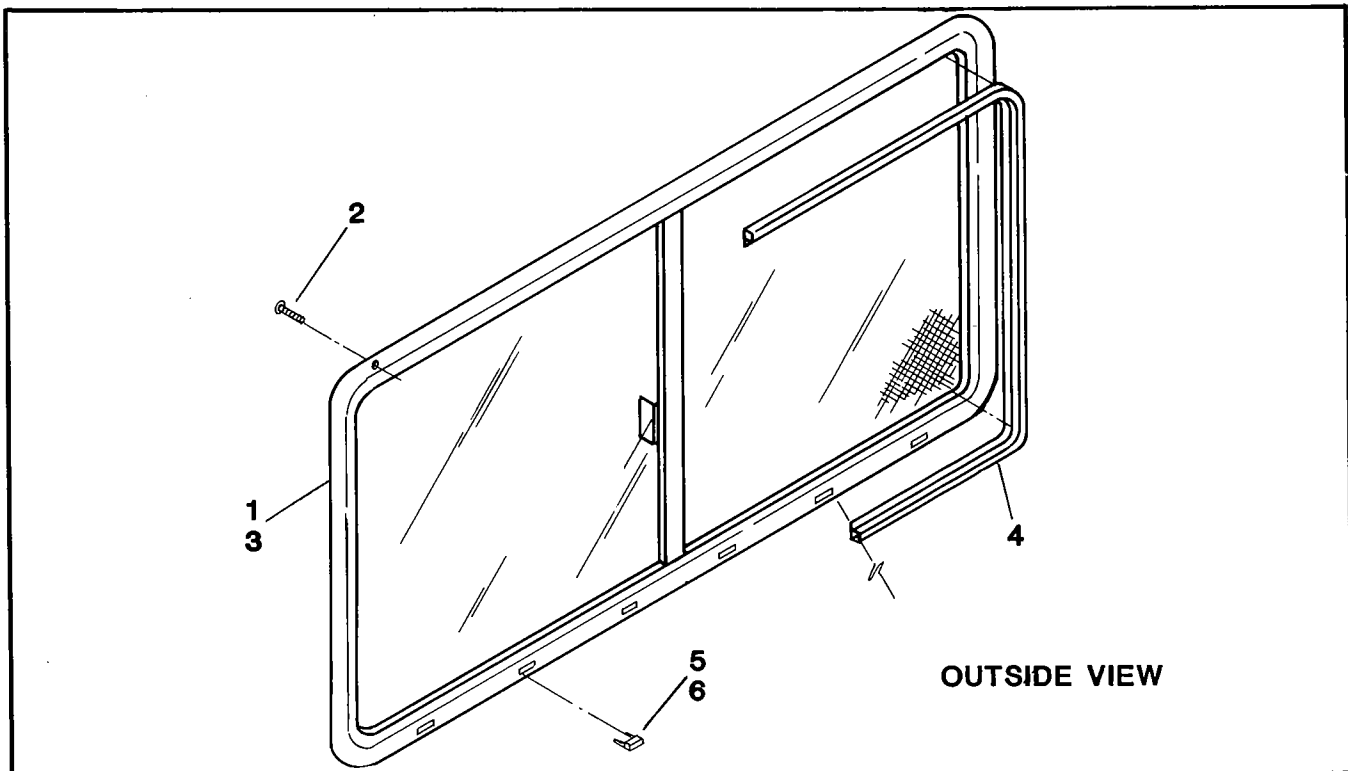


Figure 13. Window Assembly, Rear

Fig. & Item No.	Amercode Part No.	Part Description	Qty. Per Assy.	Usable On Code
WINDOW ASSEMBLIES				
12-1 -2 -3	21806-003 10711-015	.WINDOW, FrontCAULKING, Sealant BlackSCREW, #8 Self-Drilling x 3/4	Ref AR 24	
13-1 -2 -3 -4 -5 -6	21807-006 10711-015 34892-006 21989-007 10751-005*	.WINDOW, REARSCREW, #8 Self Drilling x 3/4CAULKING, Sealant BlackEXTR, Window Seal Vinyl x 53COVER, Drain HoleADH, Self Vulcanizing	Ref 24 AR 1 4 AR	
(see next page)				
*Production Supplies and Minor Parts. Do not report on Repair Statement.				

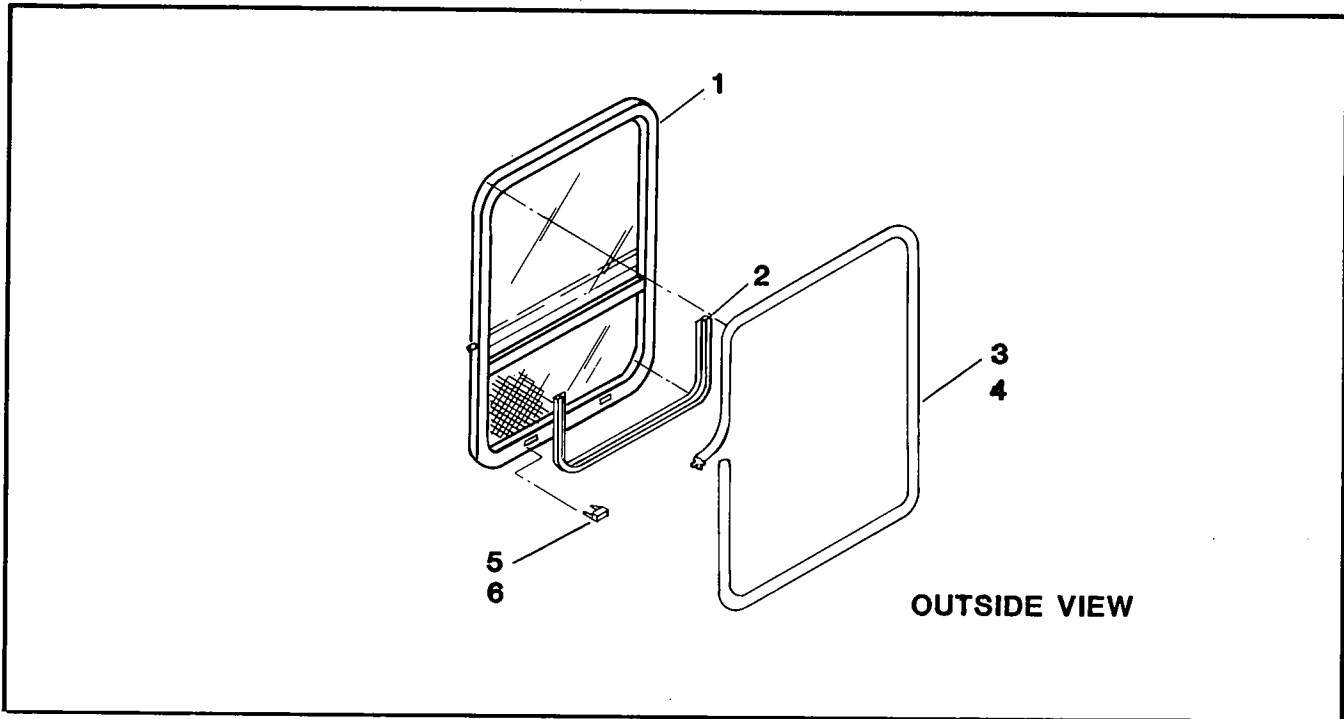


Figure 14. Window Assembly, Door

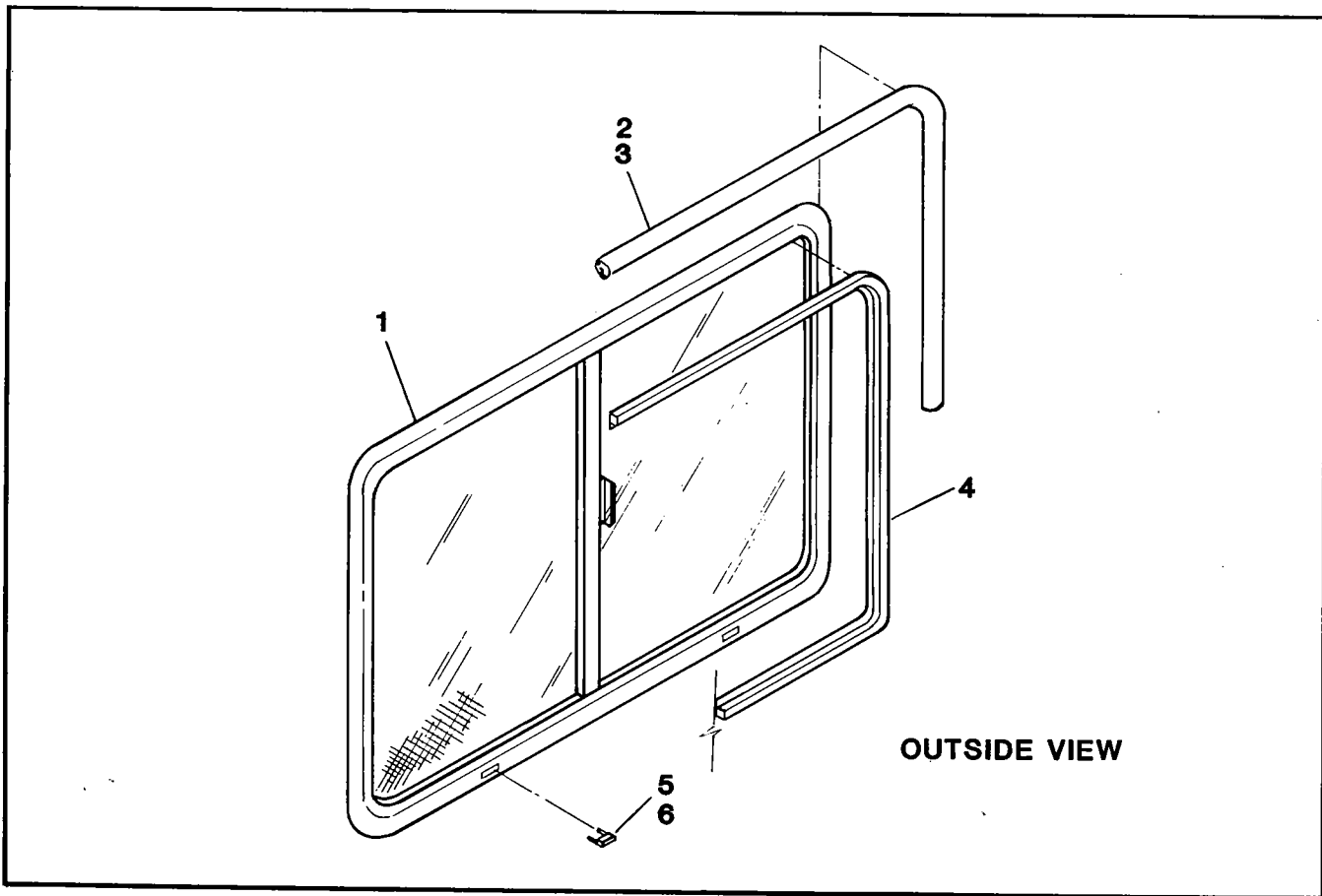


Figure 15. Window Assembly, Right Side

Fig. & Item No.	Amercode Part No.	Part Description	Qty. Per Assy.	Usable On Code
WINDOW ASSEMBLIES (Continued)				
14-1	21807-003	.WINDOW, (door) 14 x 19-1/4 W/Screen	Ref	
-2	34892-008	.EXTR, Window Seal Vinyl x 18	1	
-3	38455-006	.RUBBER, Door Window Molding	1	
-4		.SEALER, Windshield (3M P/N 08511)	AR	
-5	21989-007	.COVER, Drain Hole	2	
-6	10751-005*	.ADH, Self Vulcanizing	AR	
15-1	21807-004	.WINDOW, Right Side	Ref	
-2	38455-001	.EXTR, Window Rubber S/L x 96	1	
-3		.SEALER, Windshield (3M P/N 08511)	AR	
-4	34892-007	.EXTR, Window Seal Vinyl x 35	1	
-5	21989-007	.COVER, Drain Hole	2	
-6	10751-005*	.ADH, Self Vulcanizing	AR	
(See Next Page)				
*Production Supplies and Minor Parts. Do not report on Repair Statement.				

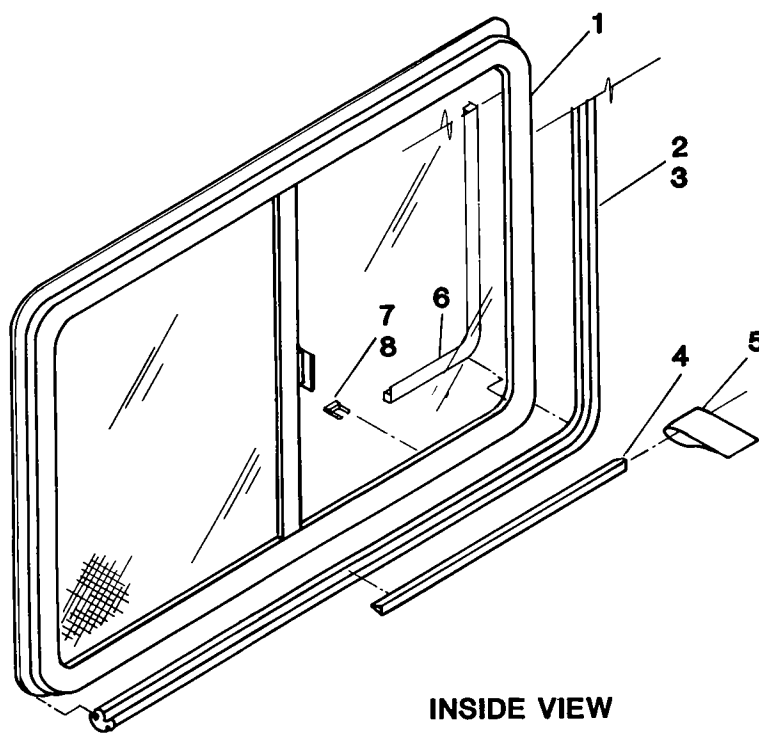


Figure 16. Window Assembly, Emergency

Fig. & Item No.	Amercode Part No.	Part Description	Qty. Per Assy.	Usable On Code
WINDOW ASSEMBLIES (Continued)				
16-1	21807-005	.WINDOW, 18-1/2 x 24 W/Screen LH (emergency). .	Ref	
-2	38455-001	.EXTR, Window Rubber S/L x 96	1	
-3		.SEALER, Windshield (3M P/N 08511)	AR	
-4	38451-007	.EXTR, Window Rubber Key x 96	1	
-5	45371-004	.STRAP ASSY, Window Release	1	
-6	34892-007	.EXTR, Window Seal Vinyl x 35	1	
-7	21989-007	.COVER, Drain Hole	2	
-8	10751-005*	.ADHESIVE, Self Vulcanizing	AR	
*Production Supplies and Minor Parts. Do not report on Repair Statement.				

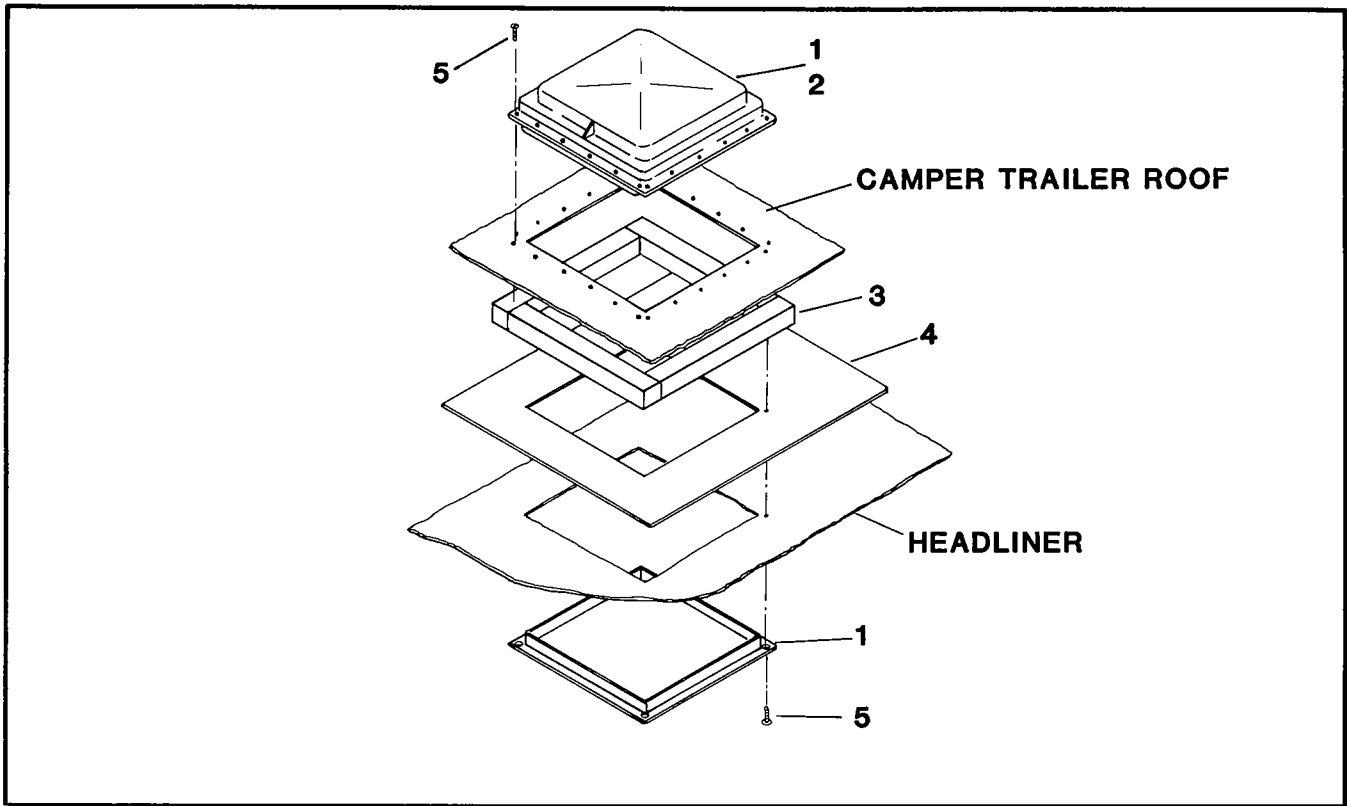


Figure 17. Roof Vent

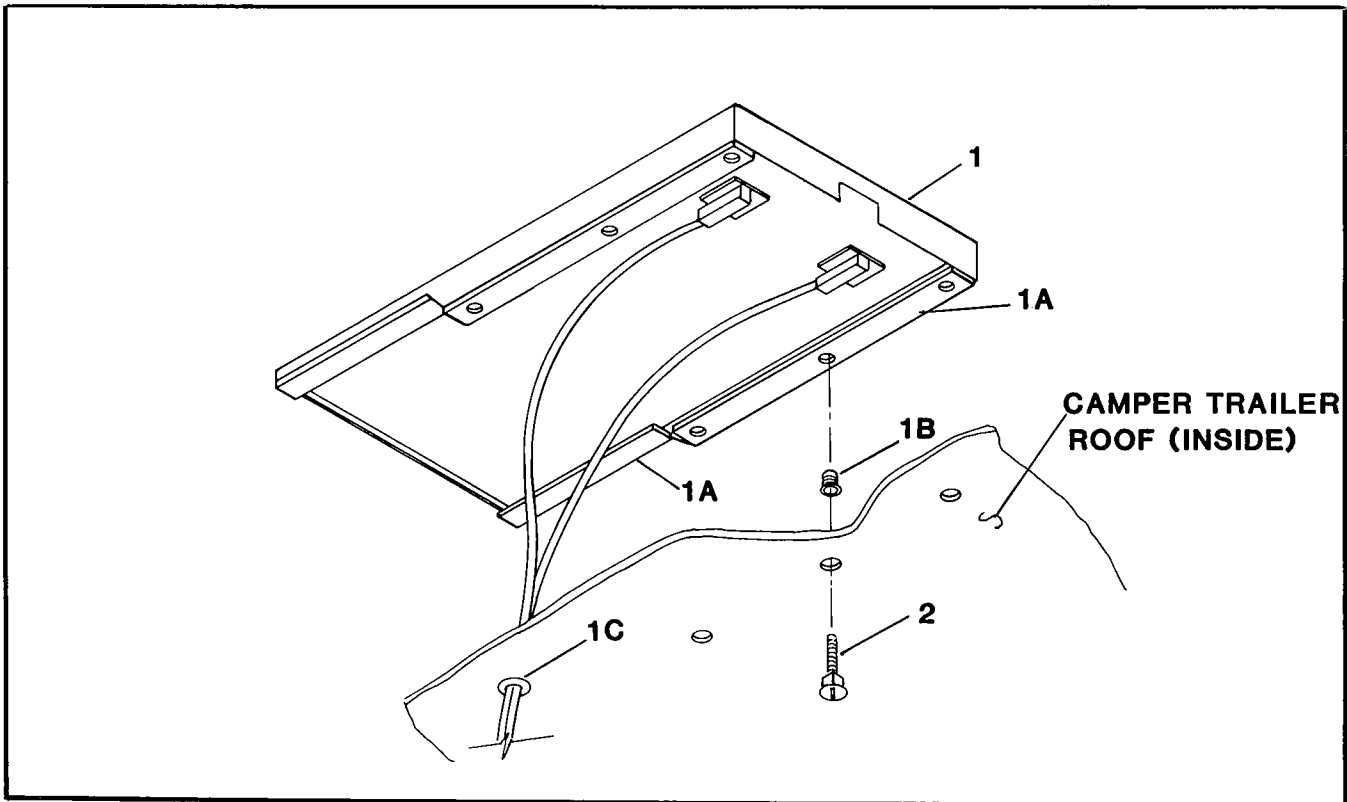


Figure 18. Solar Panel

Fig. & Item No.	Amercode Part No.	Part Description	Qty. Per Assy.	Usable On Code
ROOF VENT AND SOLAR PANEL ASSEMBLIES				
ROOF VENT				
17-	44562-003	VENT INSTL, Roof Camper Trailer	Ref	
17-1	25411-004	.VENT, Roof	1	
-2	10711-016	.CAULKING, Sealant White	AR	
-3	33212-006	.SPACER, Wood 2 x 1 x 16	4	
-4	33371-030	.SPACER, Head Liner	1	
-5	20311-027*	.SCREW, Self-Tap #8 OVH x 3/4	28	
SOLAR PANEL				
18-	44314-001	.PANEL ASSY, Solar	Ref	
18-1	26057-001	. PANEL ASSY, Solar (alternate)	1	A
-	26057-001	. PANEL ASSY, Solar	1	B
-1A	38123-011*	. FOAM RUBBER, W/Backing 64"	1	
-1B	20954-003*	. NUT, Insert 1/4-20	6	
-1C	21982-023*	. GROMMET, Rubber 3/8 ID	1	
-2	20855-002*	.BOLT,, Elev 1/4 FLH CSK x 1	6	
-3	10711-016	.CAULKING, Sealant White	AR	
*Production Supplies and Minor Parts. Do not report on Repair Statement.				

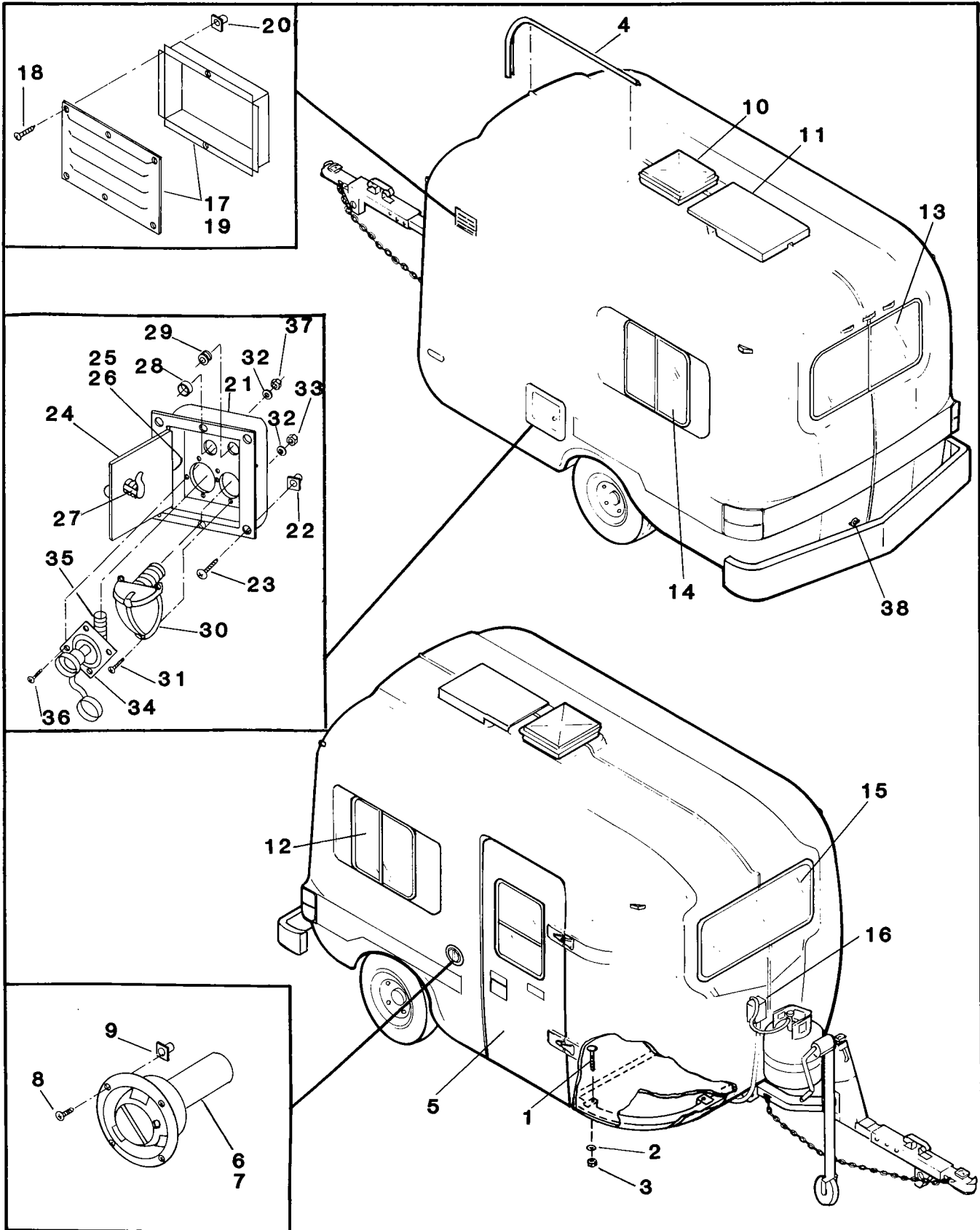


Figure 19. Body Assembly, Exterior

Fig. & Item No.	Amercode Part No.	Part Description	Qty. Per Assy.	Usable On Code
BODY ASSEMBLY-EXTERIOR				
19-	41176-001	TRAILER ASSY, Camper 13 Ft	Ref	
19-1	20255-004	.SCREW, Elevator 1/4 FLHD CSK x 2	19	
-2	20080-001*	.WASHER, Flat 1/4	19	
-3	20908-011*	.NUT, Hex Lock 1/4-20	19	
-4	38455-004	.EXTR, Outer Rib Seal	1	
-5	43148-010	.SKIN ASSY, Door Camper Trailer (see fig 11) .	1	
-6	25412-001	.VENT, Heater Exhaust	1	
-7	10711-016	.CAULKING, Sealant White	AR	
-8	20311-027*	.SCREW, Self Tpg #8 PNH x 3/4	3	
-9	20075-006*	.INSERT, Nylon	3	
-10	25411-004	.VENT, Roof (see figure 17)	1	
-11	44314-001	.PANEL ASSY, Solar (see figure 18)	1	
-12	21807-004	.WINDOW, 18-1/2 x 24 W/Screen RH (see figure 15)	1	
-13	21807-006	.WINDOW, 18-1/2 x 41-1/2 W/Screen (see figure 13)	1	
-14	21807-005	.WINDOW, 18-1/2 x 24 W/Screen LH (see figure 16)	1	
-15	21807-003	.WINDOW, 14 x 19-1/2 W/Screen (frt)(see figure 12)	1	
-16	25252-001	.REGULATOR, Gas Pressure (see figure 3A) . . .	1	
-17	37722-004	.PANEL, Louvered (Range Hood Exhaust)	1	
-18	20311-034*	.SCREW, Self Tap #8 PNH x 1/4	6	
-19	10711-016	.CAULKING, Sealant White	AR	
-20	20075-006*	.INSERT, Nylon	6	
-21	37784-005	.BOX, Mod Utility Inlet/Outlet	1	
-22	20075-006*	.INSERT, Nylon	6	
-23	20311-038*	.SCREW, Self-Tap #8 FLH x 3/4	6	
-24	37784-004	.COVER, Water Box	1	
-25	41911-046	.HINGE, Continuous Water Box	1	
-26	20067-002*	.RIVET, Blind Alum 3/16 x .720	7	
-27	21851-015	.LATCH, W/Thread	1	
-28	21982-506*	.GROMMET, Plastic x 5/8 ID	1	
-29	21982-023*	.GROMMET, Rubber 3/8 ID	1	
-30	24912-001	.SPOUT, Water Tank Filler	1	
-31	20651-035*	.SCREW, Mach #8-32 PNH x 3/4	3	
-32	20080-019*	.WASHER, Flat #10	11	
-33	20908-016*	.NUT, Hex Lock 8-32	3	
-34	25242-003	.VALVE, Press Rgltr City Water	1	
-35	25378-001	.FITTING, Elbow 90 Deg Female	1	
-36	20651-035*	.SCREW, Mach 8-32 PNH x 3/4	4	
-37	20908-016*	.NUT, Hex Lock 8-32	4	
-38	38434-002	.VENT, Air (battery breather).(see Fig. 28) . .	1	
*Production Supplies and Minor Parts. Do not report on Repair Statement.				

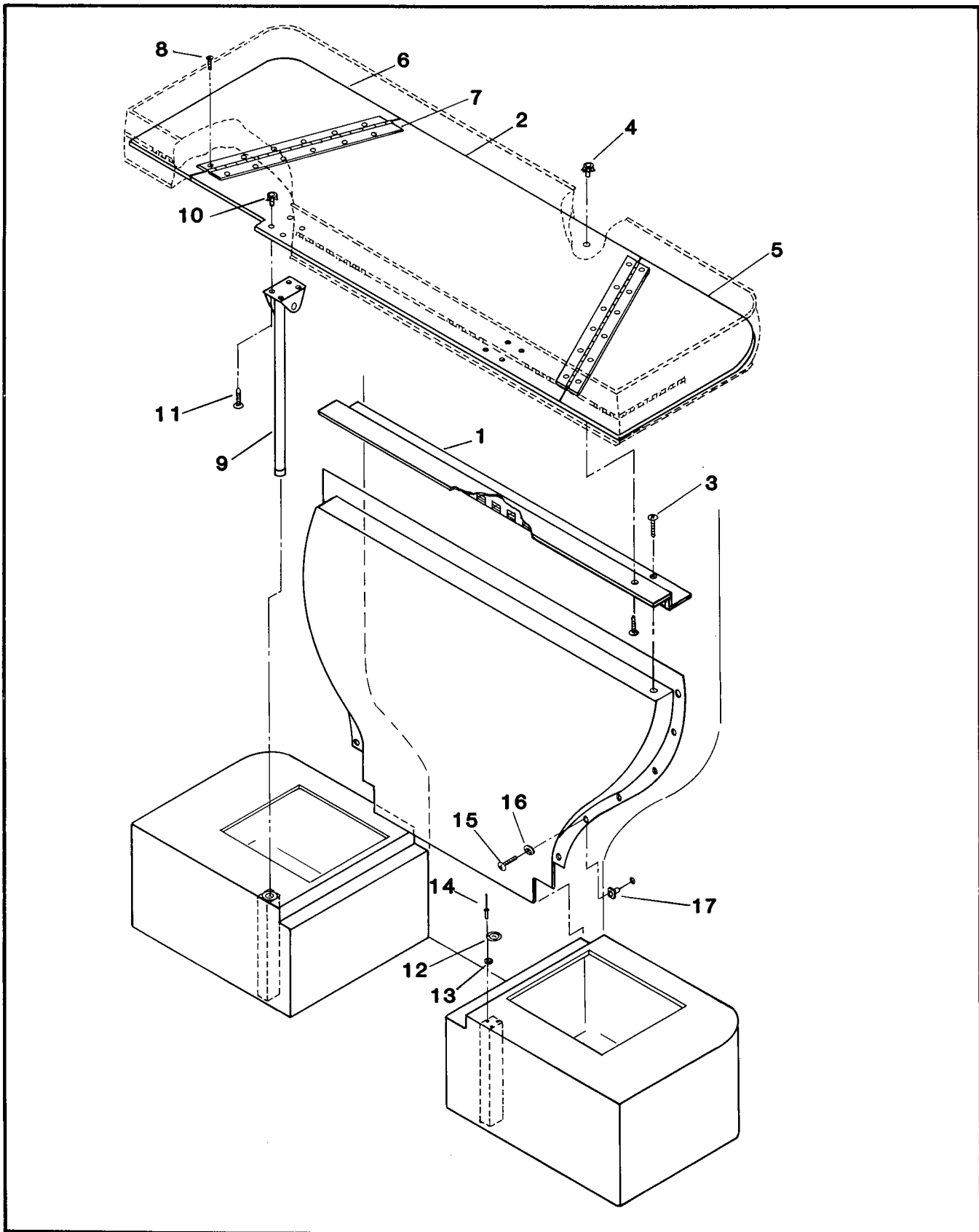


Figure 20. Bunk Assembly

Fig. & Item No.	Amercode Part No.	Part Description	Qty. Per Assy.	Usable On Code
BUNK ASSEMBLY				
20-	43249-009	.BUNK INSTL, CAMPER TRAILER	Ref	
20-1	41911-056	.HINGE, Continuous	1	
-2	34118-003	.BOARD, Plywd Bunk Center Panel	1	
-3	20651-002*	.SCREW, Mach 1/4-20 PNH x 3/4	12	
-4	20953-001*	.NUT, Tee Pronged 1/4-20	12	
-5	33971-018	.PANEL, Plywd Bunk RH	1	
-6	33971-019	.PANEL, Plywd Bunk LH	1	
-7	41911-044	.HINGE, Continous x 20-1/2	2	
-8	20311-024*	.SCREW, Self Tap #8 PNH x 1/2	44	
-9	21927-003	.LEG MOD, Folding Bunk Support 23"	2	
-10	20953-006	.NUT, Tee Pronged 8-32	8	
-11	20651-012*	.SCREW, Mach #8-32 PNH x 1/2	8	
-12	37565-001	.RECEPTACLE, Leg Lower	2	
-13	20080-019*	.WASHER, Flat #10	6	
-14	20067-002*	.RIVET, Blind Alum 3/16 x .720	6	
-15	20311-027*	.SCREW, Self-Tap #8 PNH x 3/4	12	
-16	20080-045*	.WASHER, Flat #8 Wire	12	
-17	20075-006*	.INSERT, Nylon	12	
*Production Supplies and Minor Parts. Do not report on Repair Statement.				

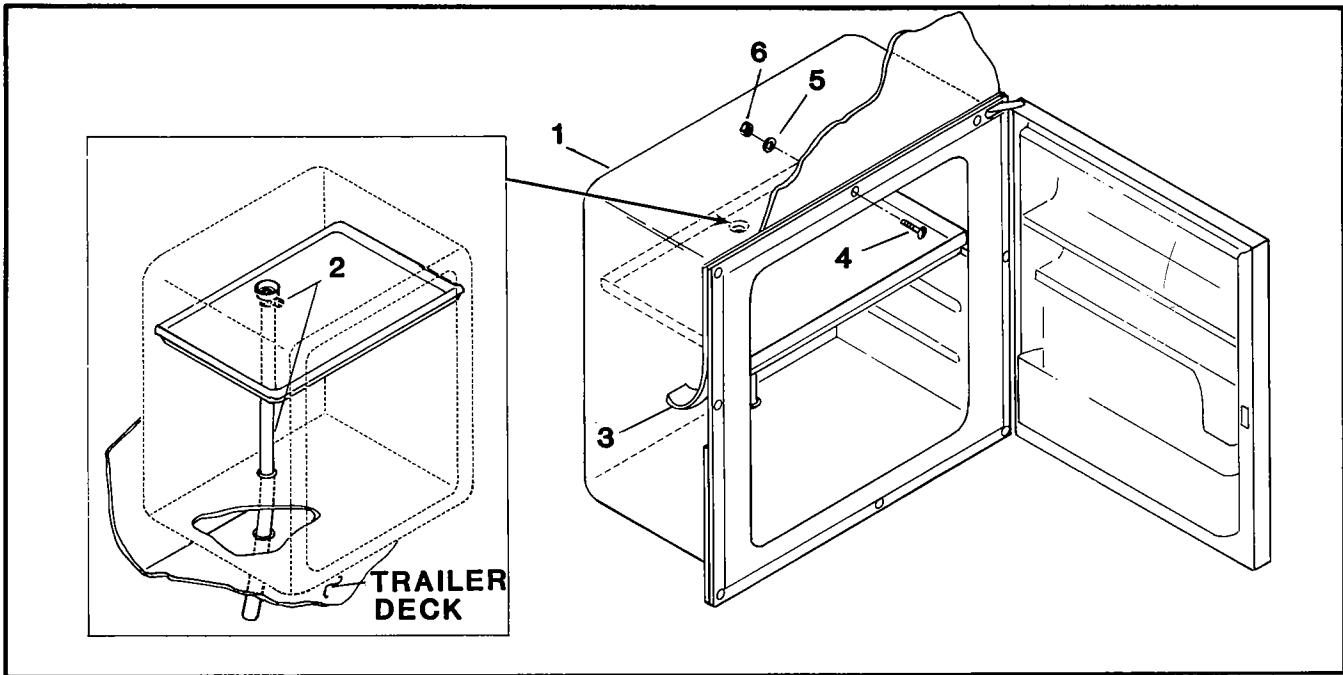


Figure 21. Ice Box

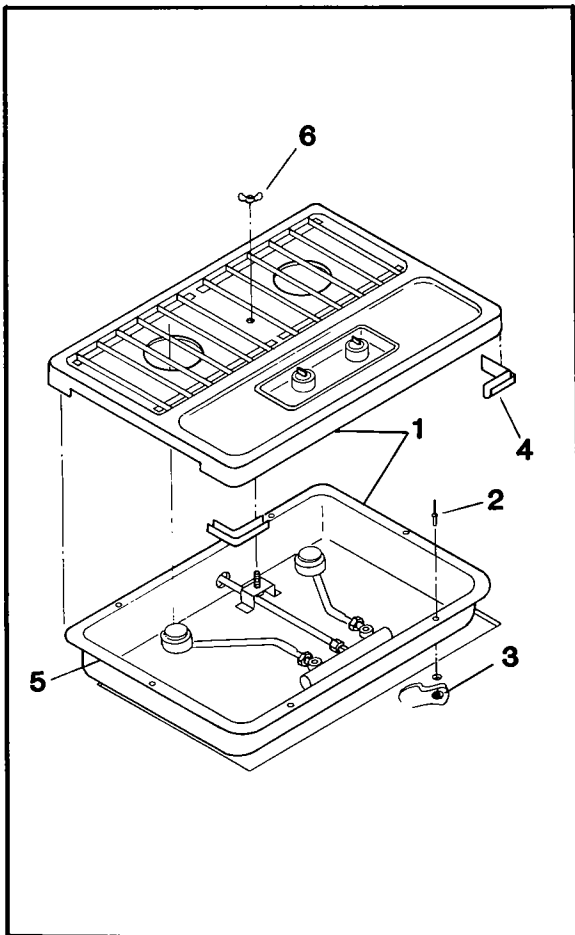


Figure 22. Stove

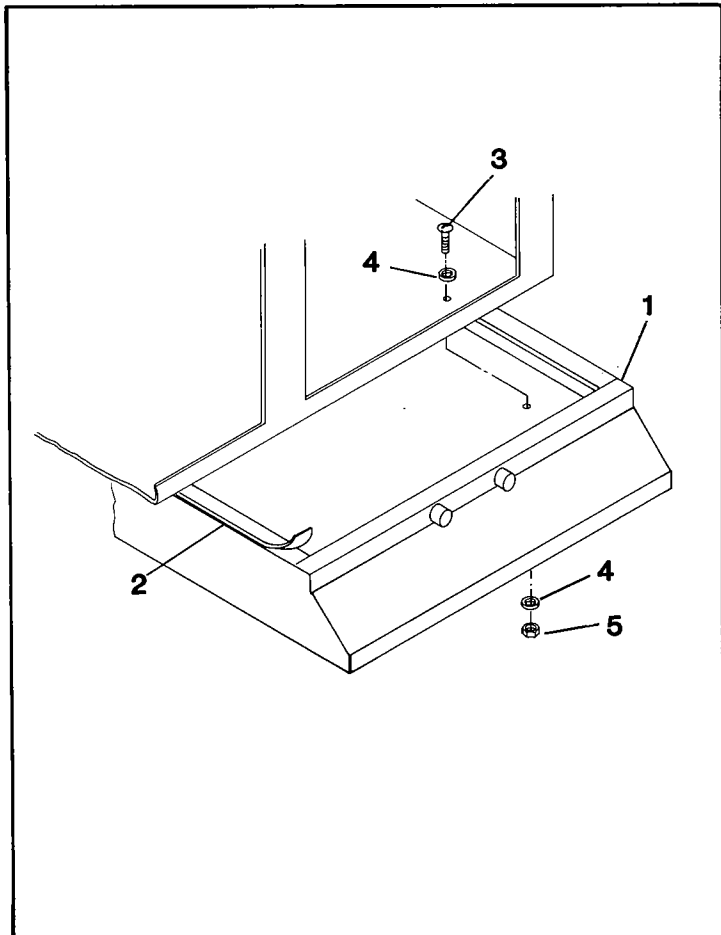


Figure 23. Stove Hood

Fig. & Item No.	Amercode Part No.	Part Description	Qty. Per Assy.	Usable On Code
ICE BOX, STOVE AND HOOD				
ICE BOX				
21-	43249-003	.ICE Box Installation	Ref	
21-1	66214-008	.ICE Box	1	
-2	21962-008	.CLAMP, Hose W/Screw #4	1	
-3	37785-010	.FOAM, W/Adh Backing x 80	1	
-4	20651-045*	.SCREW, Mach #10-24 PNH x 1	8	
-5	20080-019*	.WASHER, Flat #10	8	
-6	20908-018*	.NUT, Hex Nylon Lock 10-24	8	
STOVE				
22-	43249-007	STOVE INSTL, Camper Trailer	Ref	
22-1	66217-007	.STOVE, 2 Burner	1	
-2	20066-009*	.RIVET, Blind CLE AL 3/16 x .720	6	
-3	20080-019*	.WASHER, Flat #10	6	
-4	34823-016	.EXTRUSION, Rubber x 1-1/2	4	
-5	10711-016	.CAULKING, Sealant White	AR	
-6	20952-007	.NUT, Wing 8-32	1	
STOVE HOOD				
23-	44562-004	HOOD INSTL, Stove CT	Ref	
23-1	25414-001	.HOOD, Range W/Light/Fan	1	
-2	10556-001*	.FOAM, W/Adh Backing	AR	
-3	20651-055*	.SCREW, Mach #10-24 PNH X 2	4	
-4	20080-019*	.WASHER, Flat #10	8	
-5	20908-018	.NUT, Hex Nylon Lock #10	4	
*Production Supplies and Minor Parts. Do not report on Repair Statement.				

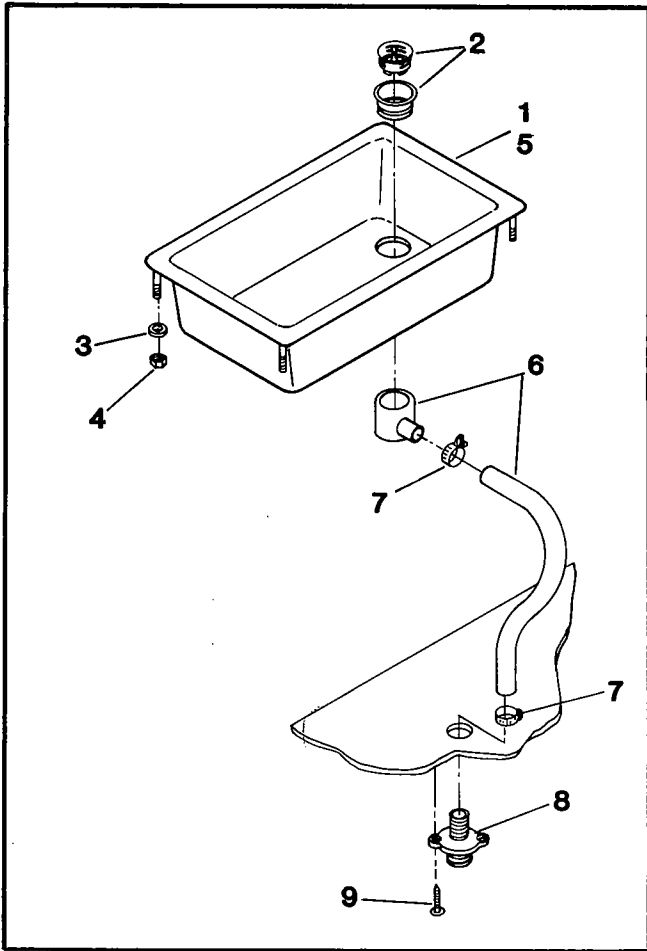


Figure 24. Sink

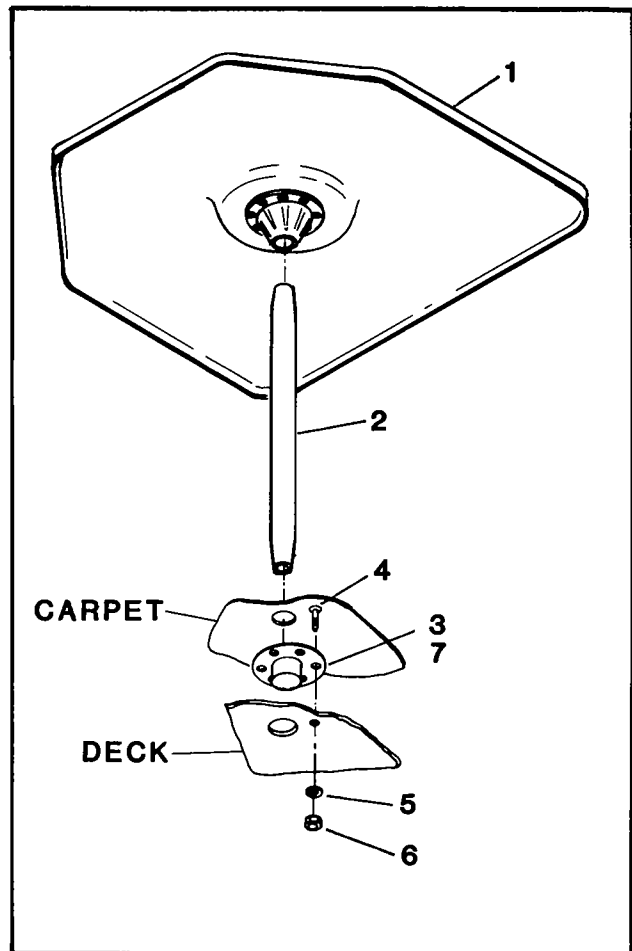


Figure 25. Table Assembly

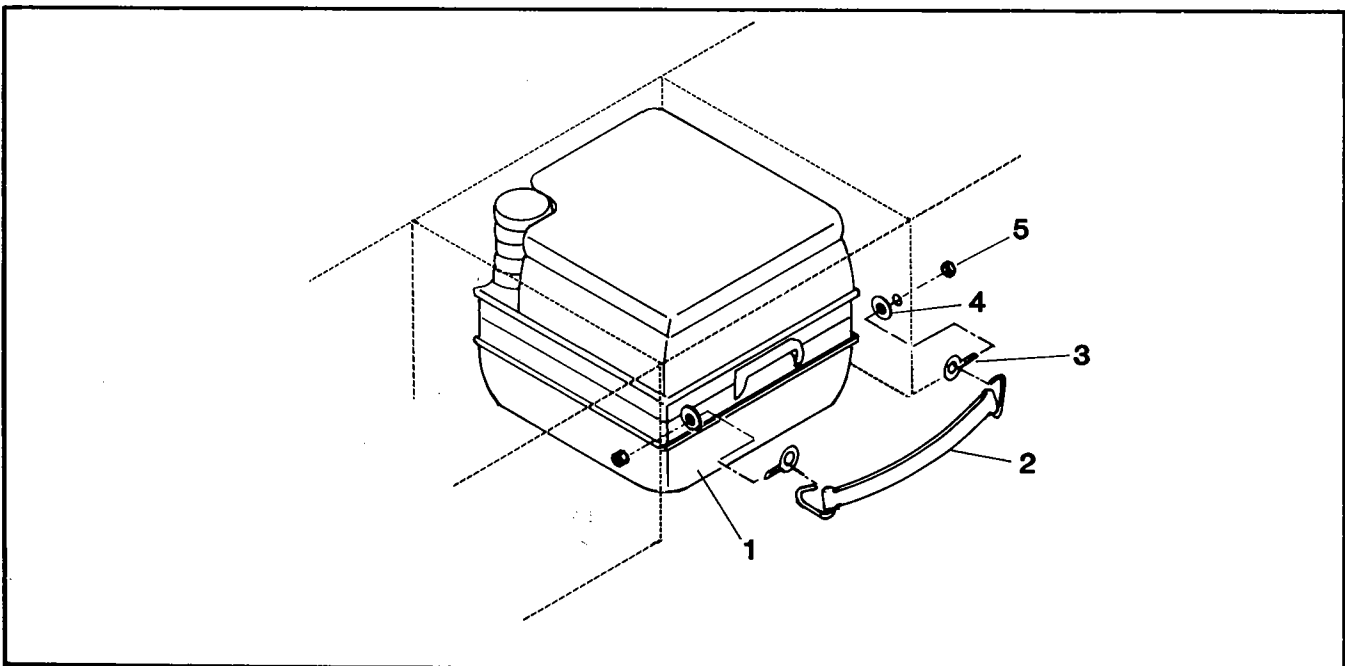


Figure 26. Portable Toilet

Fig. & Item No.	Amercode Part No.	Part Description	Qty. Per Assy.	Usable On Code
		SINK, TABLE AND PORTABLE TOILET		
		SINK		
24-	43249-006	SINK/DRAIN INSTL, Camper Trlr	Ref	
24-1	66217-008	.SINK, Stainless Steel	Ref	
-2	25516-001	.STRAINER, Water	1	
-3	20080-019*	.WASHER, Flat #10	4	
-4	20908-018*	.NUT, Hex Nylon Lock #10-24	4	
-5	10711-016	.CAULKING, Sealant White	AR	
-6	24873-001	.HOSE, Drain W/Fittings	1	
-7	21962-002	.CLAMP, HOSE W/Screw #10	1	
-8	24826-002	.CONNECTOR, Hose	1	
-9	20311-027*	.SCREW, Self Tap #8 PNH x 3/4	2	
		TABLE ASSEMBLY		
25-1	43241-008	TOP ASSY, Table	1	
-2	21926-002	.LEG, Table Support	1	
-3	21862-003	.RECEPTACLE, Leg Lower	1	
-4	20601-026*	.SCREW, Mach 1/4 FL HD X 1	6	
-5	20080-001*	.WASHER, Flat 1/4	6	
-6	20908-011*	.NUT, Hex Lock 1/4-20	6	
-7	10711-016	.CAULKING, Sealant White	AR	
		PORTABLE TOILET		
26-1	66247-003	.TOILET, Portable	Ref	
-2	21960-013	.CORD, Tie-Down 14"	1	
-3	21924-003	.HOOK, Eyelet 1/4-20	2	
-4	20080-044*	.WASHER, Flat 1/4 Wide	2	
-5	20908-011*	.NUT, Hex Lock 1/4-20	2	
		*Production Supplies and Minor Parts. Do not report on Repair Statement.		

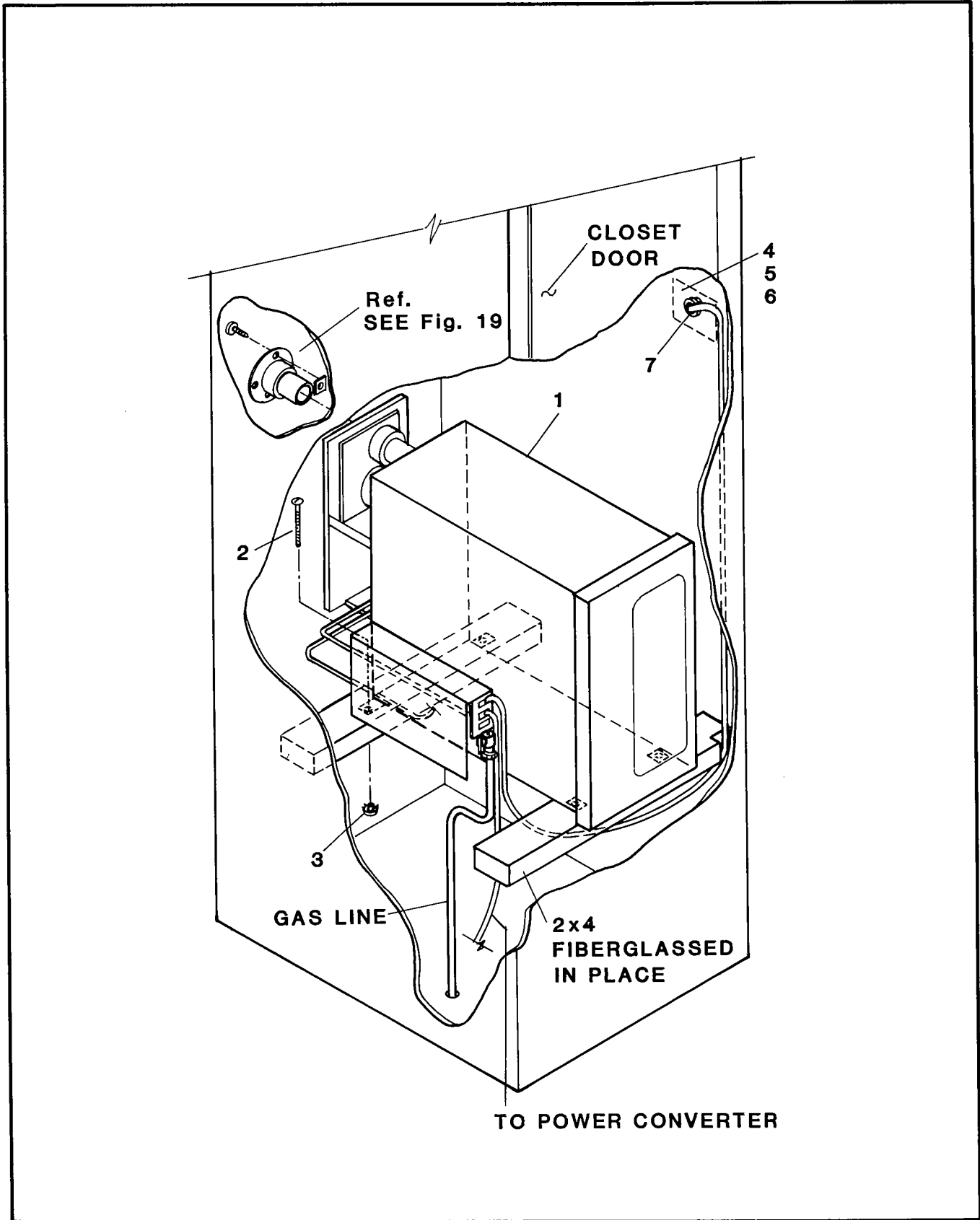


Figure 27. Heater

Fig. & Item No.	Amercode Part No.	Part Description	Qty. Per Assy.	Usable On Code
HEATER				
27-	44718-001	HEATER/ACCESSORY Instl	Ref	
27-1	66881-009	.HEATER W/Thermostat	Ref	
-2	20654-001*	.SCREW, Mach 1/4-20 Pan HD x 2	4	
-3	20953-001*	.NUT, Tee Pronged 1/4-20	4	
-4		. THERMOSTAT	1	
-5	20311-039*	.SCREW, Self Tap #6 PNH x 1/2	2	
-6	20075-006*	.INSERT, Nylon	2	
-7	21982-023*	.GROMMET, Rubber 3/8 ID	1	
*Production Supplies and Minor Parts. Do not report on Repair Statement.				

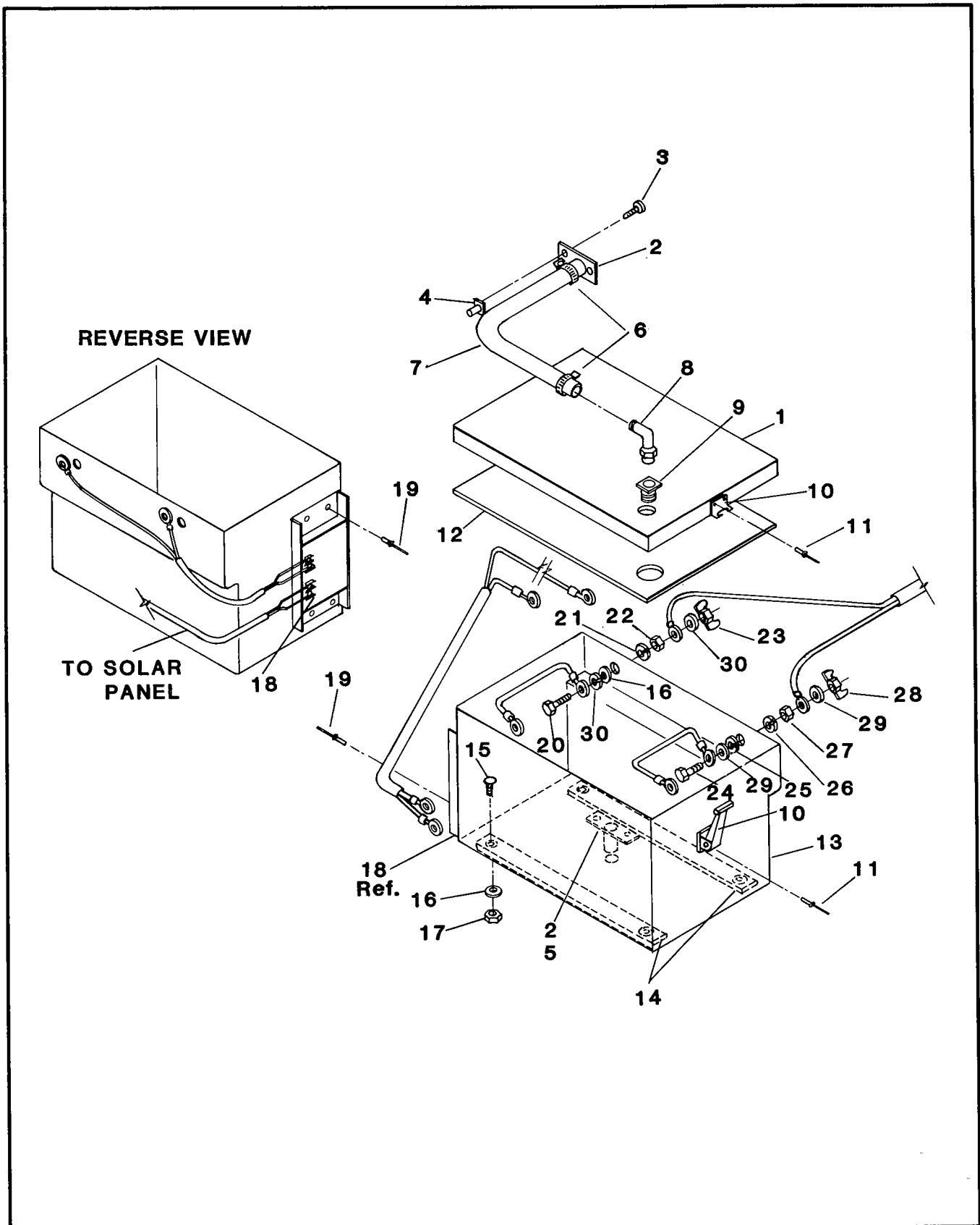


Figure 28. Battery Box

Fig. & Item No.	Amercode Part No.	Part Description	Qty. Per Assy.	Usable On Code
		BATTERY BOX		
28-	49441-002	WIRE SCHEM, INT. CT	Ref	
28-1	37784-007	.COVER MOD, Battery Box	1	
-2	38434-002	.VENT, AIR	2	
-3	20311-006*	.SCREW, Self Tap #10 PND x 1/2	2	
-4	20075-006*	.INSERT, Nylon	2	
-5	10711-016	.CAULKING, Sealant White	AR	
-6	21962-002	.CLAMP, Hose W/Screw #10	2	
-7	38421-018	.TUBE, Plastic 3/4 ID x 30 Lg	1	
-8	24834-005	.CONNECTOR, Hose Elbow 3/4	1	
-9	24661-001	.ADAPTER, Tank	1	
-10	21850-009	.CATCH, Flexible Draw	2	
-11	20066-006*	.RIVET, Blind Cle Al 1/8 x .258	8	
-12	21983-005	.GASKET, Battery Box	1	
-13	37784-009	.BASE MOD, Battery Box	1	
-14	33212-009	.STRIP, Plastic 1/4 x 1-1/2 x 11-1/2	2	
-15	20855-001*	.BOLT, Elev 1/4 FL Hd CSK x 1/2	2	
-16	20080-001*	.WASHER, Flat 1/4	3	
-17	20908-011*	.NUT, Hex Lock 1/4-20	2	
-18	27101-002	.REGULATOR, Voltage	1	
-19	20067-002*	.RIVET, Blind Alum 3/16 x 0.720	4	
-20	20710-041*	.SCREW, Cap 1/4-20 Hex x 1-1/4	1	
-21	20084-001*	.WASHER, Lock 1/4	1	
-22	20900-019*	.NUT, Hex 1/4-20	1	
-23	20952-006*	.NUT, Wing 1/4-20	1	
-24	20711-061*	.SCREW, Cap 5/16-18 Hex x 1-1/4	1	
-25	20080-023*	.WASHER, Flat 5/16	1	
-26	20084-009*	.WASHER, Lock 5/16	1	
-27	20900-008*	.NUT, Hex 5/16-18	1	
-28	20952-005*	.NUT, Wing 5/16-18	1	
-29	20086-013	.WASHER, Lock 5/16 Ext Tooth	2	
-30	20086-002*	.WASHER, Lock 1/4 Ext Tooth	2	
*Production Supplies and Minor Parts. Do not report on Repair Statement.				

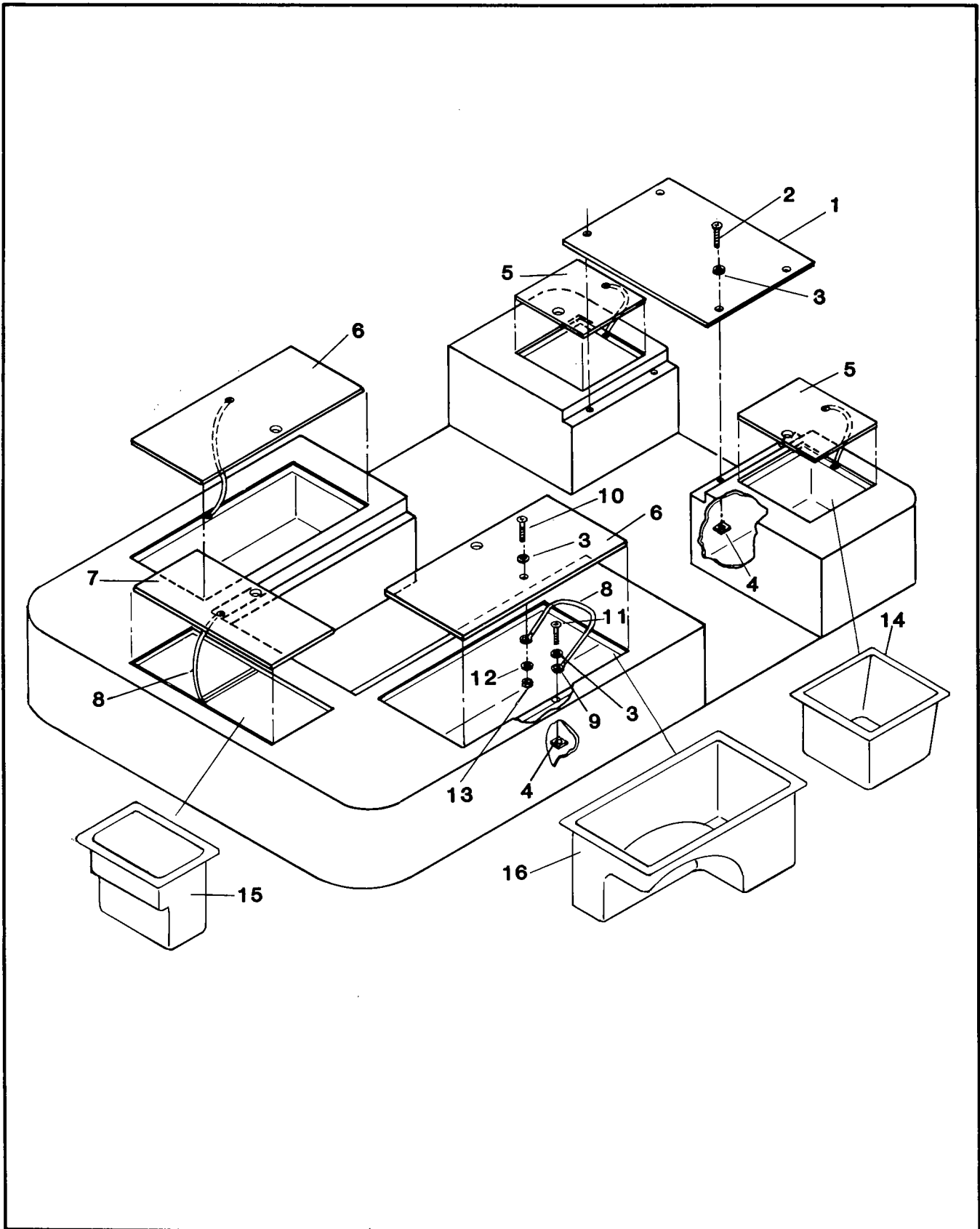


Figure 29. Seat Board Installation

Fig. & Item No.	Amercode Part No.	Part Description	Qty. Per Assy.	Usable On Code
SEAT BOARD INSTALLATION				
29-	43249-008	SEAT BOARD INSTL, Camper Trlr	Ref	
29-1	33343-010	.BOARD, Seat Front Cenmter	1	
-2	20311-029	.SCREW, Self Tap #10 OVH x 1	4	
-3	20089-007	.WASHER, Finish #10	14	
-4	20075-006	.INSERT, Nylon	9	
-5	33316-006	.BOARD, Seat Front Side	2	
-6	33316-007	.BOARD, Seat Rear Side	2	
-7	33316-008	.BOARD, Seat Rear	1	
-8	63589-007	.ROD, Flexible Curtain X 8	5	
-9	20142-001	.SCREW, Eye	10	
-10	20601-032	.SCREW, Mach #10-24 OVH X 3/4	5	
-11	20311-033	.SCREW, Self Tap #10 OVH X 1/2	5	
-12	20080-019	.WASHER, Flat #10	5	
-13	20908-018	.NUT, Hex Nylon Lock 10-24	5	
-14	37717-010	.INSERT, Stor Comp Fr Side	2	
-15	37717-012	.INSERT, Stor Comp Rear Ctr	1	
-16	37717-013	.INSERT, Stor Comp Rear Side	1	
*Production Supplies and Minor Parts. Do not report on Repair Statement.				

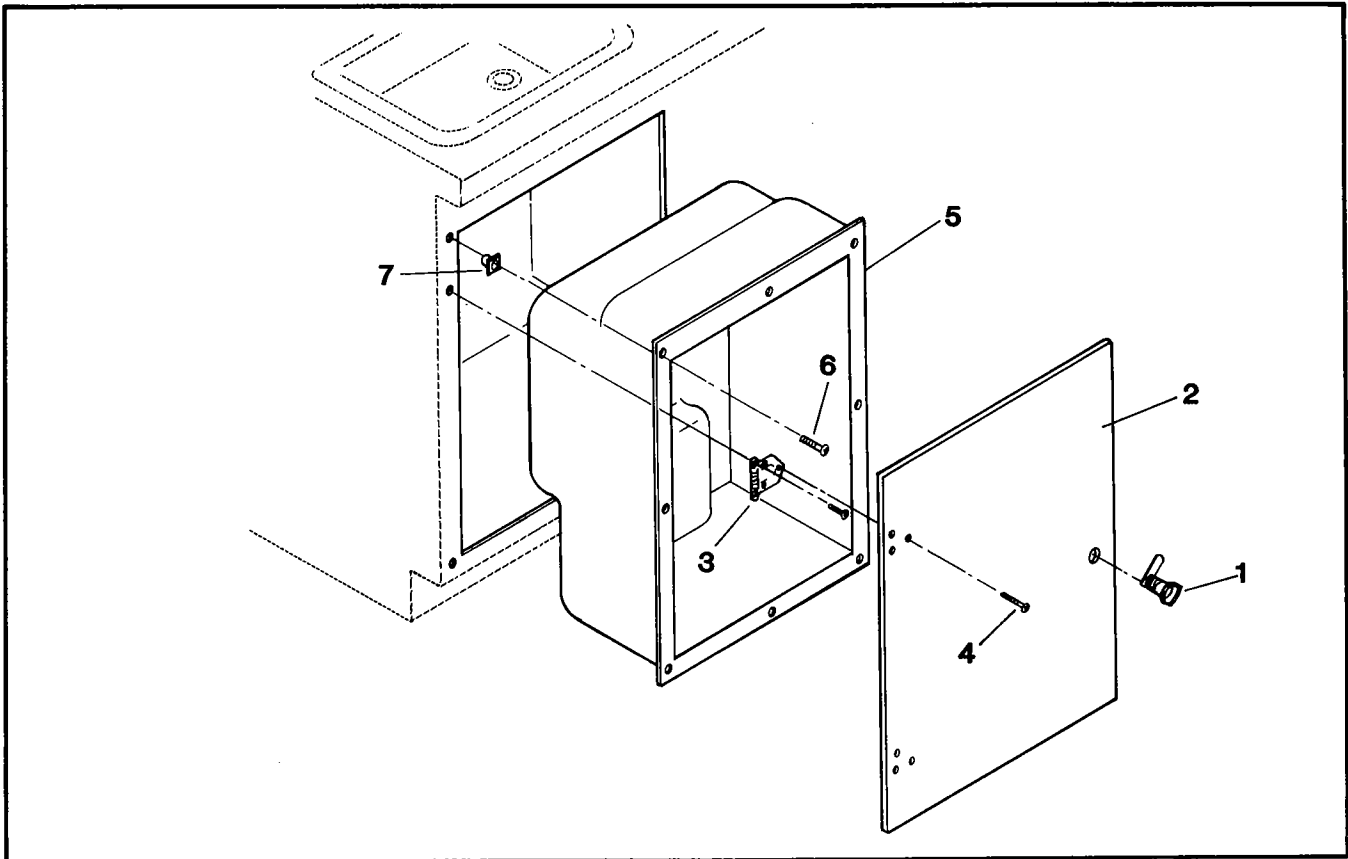


Figure 30. Cabinet Assembly, Lower

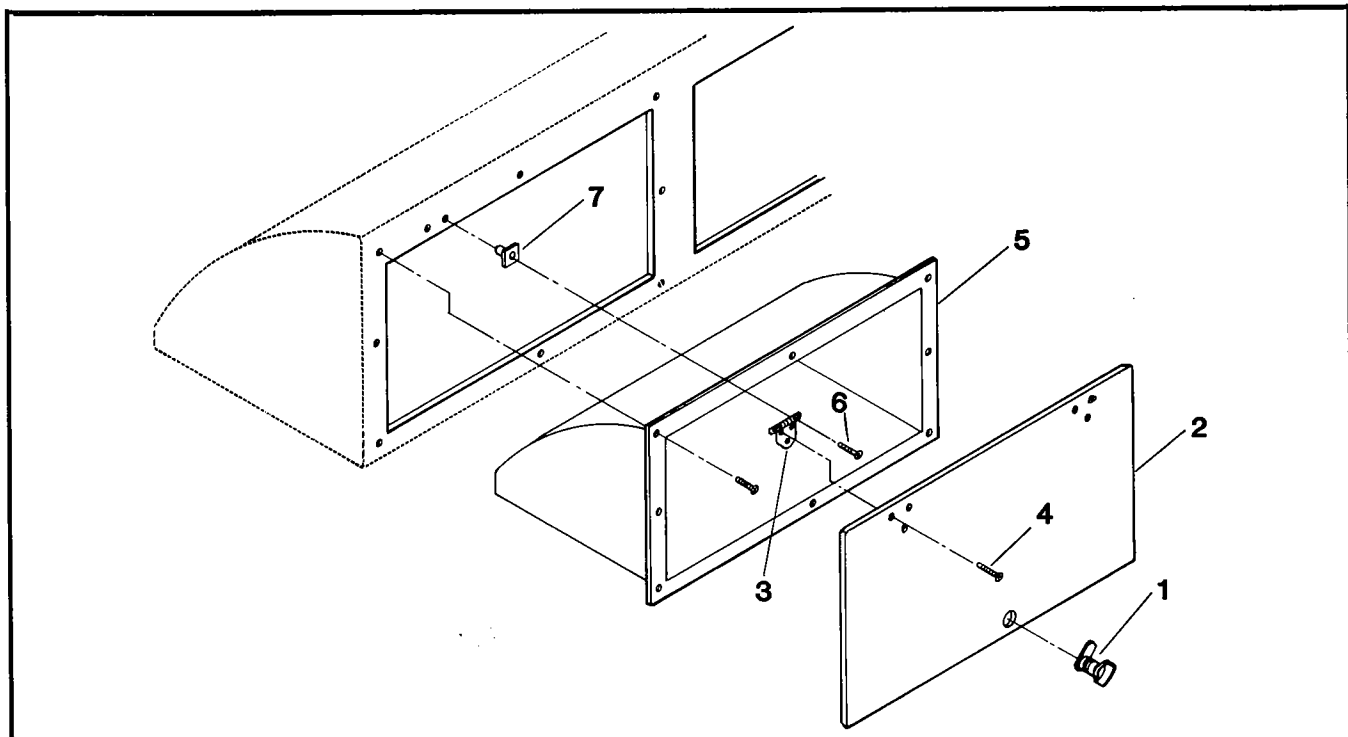


Figure 31. Cabinet Assembly, Upper

Fig. & Item No.	Amercode Part No.	Part Description	Qty. Per Assy.	Usable On Code
CABINETS				
29-	REF	CABINET ASSY, Lower	1	
29-	43148-012	.DOOR ASSY, Cabinet Lower Ct	Ref	
-1	21851-016	. LATCH, W/Thread	1	
-2	21811-011	. DOOR, Cabinet Under Sink	1	
-3	21832-008	. HINGE, Cabinet	2	
-4	20311-028*	. SCREW, Self Tap #6 FLH x 3/8	6	
-5	37717-014	.INSERT, Stor Compt Below Sink	1	
-6	20311-036*	. SCREW, Self Tap #8 OVH x 1/2	12	
-7	20075-006*	. INSERT, Nylon	12	
30-	REF	CABINET ASSY, Upper	2	
30-	43148-011	.DOOR ASSY, Cabinet Upper Ct	Ref	
30-1	21851-016	. LATCH, W/Thread	1	
-2	21811-009	. DOOR, Cabinet Over Sink	1	
-3	21832-008	. HINGE, Cabinet	2	
-4	20311-028*	. SCREW, Self Tap #6 FLH x 3/8	6	
-5	37717-011	. INSERT, Stor Compt Above Sink	1	
-6	20311-036*	. SCREW, Self Tap #8 OVH x 1/2	12	
-7	20075-006*	. INSERT, Nylon	12	
(See Next Page)				
*Production Supplies and Minor Parts. Do not report on Repair Statement.				

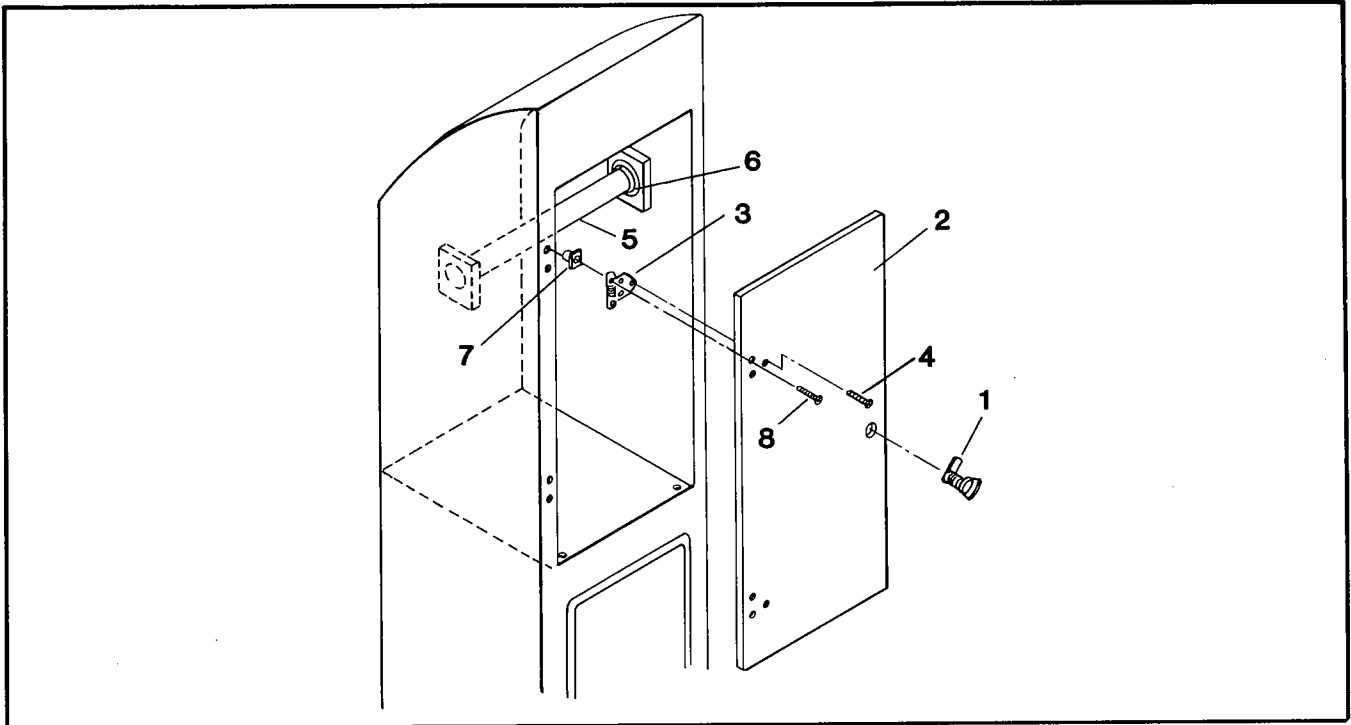


Figure 32. Closet

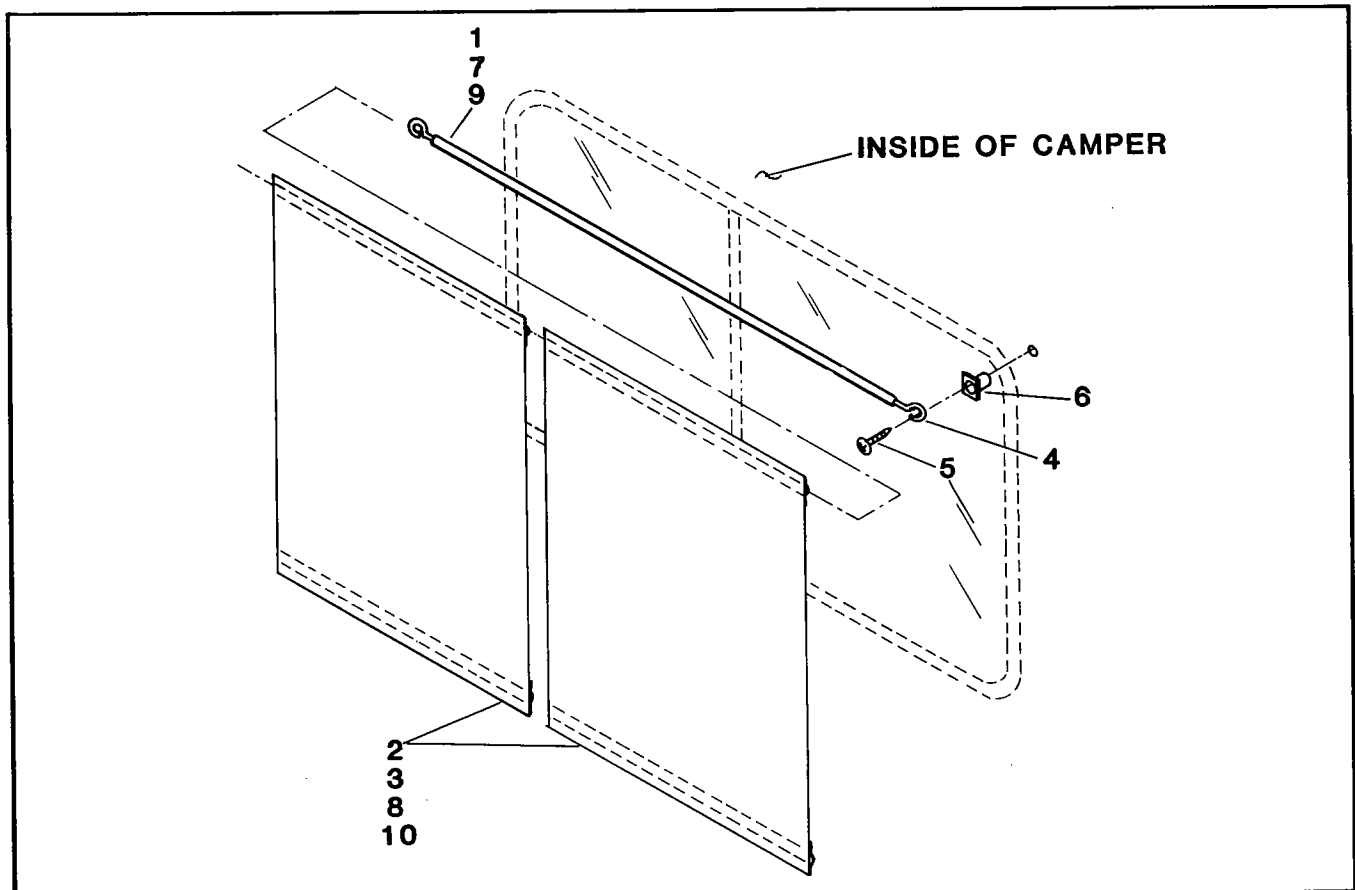


Figure 33. Curtain Installation

Fig. & Item No.	Amercode Part No.	Part Description	Qty. Per Assy.	Usable On Code
CLOSET & CURTAIN				
CLOSET				
32-	REF	CLOSET ASSY	1	
32-	43148-013	.DOOR ASSY, Closet	Ref	
32-1	21851-016	.LATCH, W/Thread	1	
-2	21811-010	.DOOR, Cabinet Closet	1	
-3	21832-008	.HINGE, Cabinet	2	
-4	20311-028*	.SCREW, Self Tap #6 FLH x 3/8	6	
-5	31126-005	.DOWEL, WOOD 1-1/4 Dia x 12.5	1	
-6	21862-004	.RECEPTACLE, Rod (set)	1	
-7	20075-006*	.INSERT, Nylon	4	
-8	20311-038*	.SCREW, Self Tap #8 FLH x 3/4	2	
CURTAIN INSTALLATION				
33-	43249-010	ROD INSTL, Curtain CT	Ref	
33-1	63589-001	.ROD, Flexible Curtain x 48	4	
-2	63586-002	.DRAPE, Front 20-1/4 x 31	2	
-3	63586-004	.DRAPE, Rear 21-3/4 x 31	2	
-4	20142-001*	.SCREW, Eye	20	
-5	20311-024*	.SCREW, Self Tap #8 PNH x 1/2	20	
-6	20075-006*	.INSERT, Nylon	20*	
-7	63689-002	.ROD, Flexible Curtain x 36	4	
-8	63586-001	.DRAPE, Side 21-3/4 x 19	4	
-9	63589-003	.ROD, Flexible Curtain x 18	2	
-10	63586-003	.DRAPE, Door 21 x 22-1/4	1	
*Production Supplies and Minor Parts. Do not report on Repair Statement.				

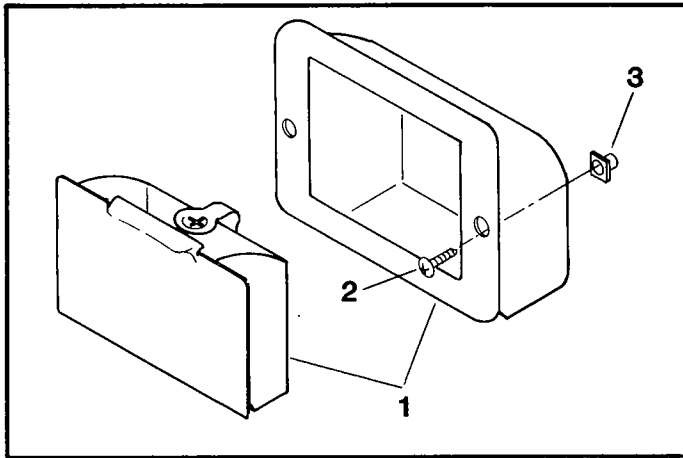


Figure 34. Ashtray

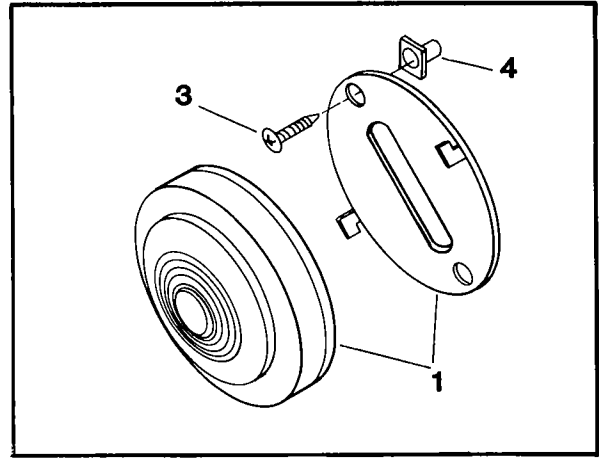


Figure 35. Smoke Detector

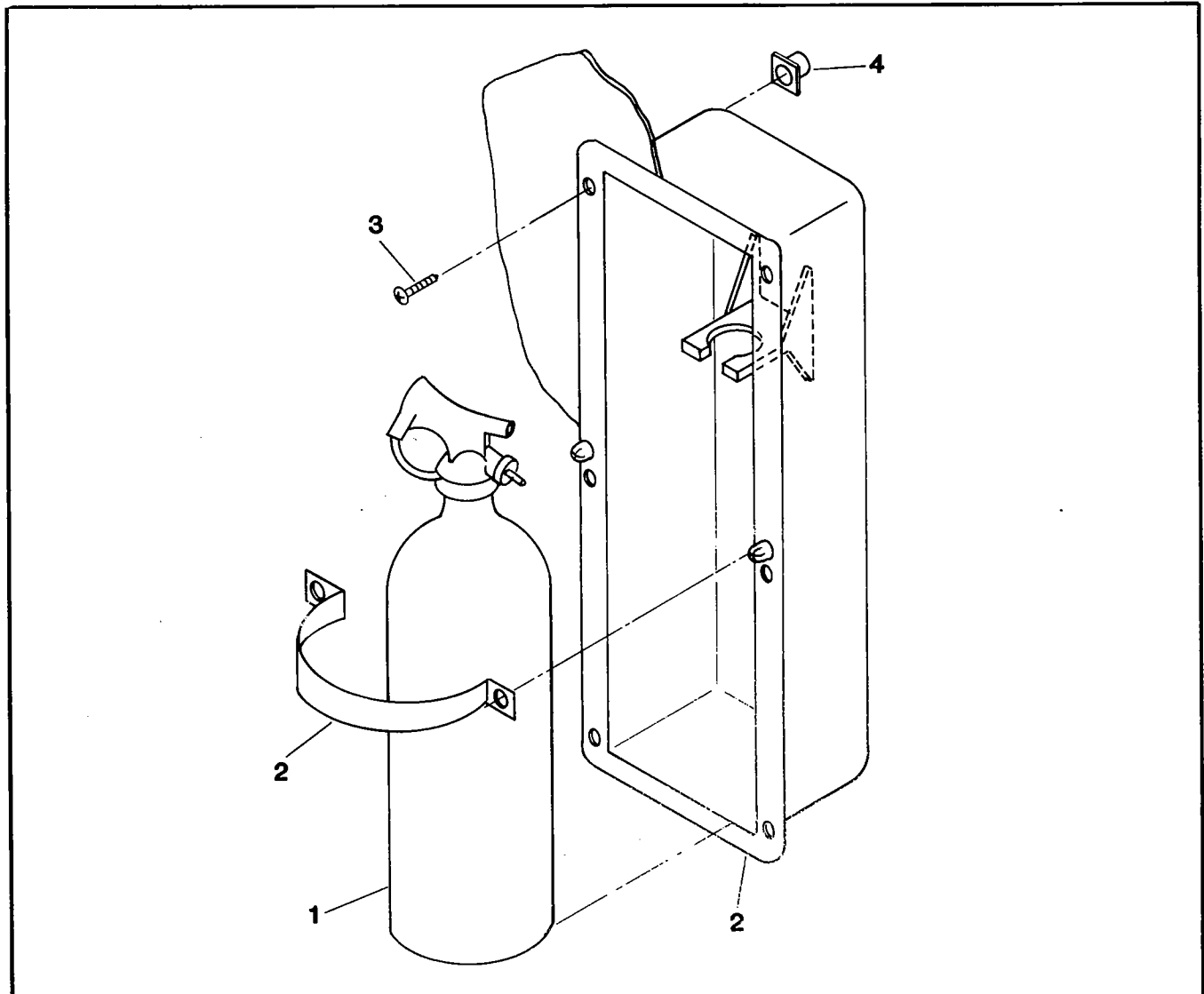


Figure 36. Fire Extinguisher

Fig. & Item No.	Amercode Part No.	Part Description	Qty. Per Assy.	Usable On Code
ACCESSORIES				
34-1	63881-001	.ASH TRAY	2	
-2	20311-036*	.SCREW, Self Tap #8 OVH x 1/2	4	
-3	20075-006*	.INSERT, Nylon	4	
35-1	64712-004	.DETECTOR, Smoke Alarm 9v	1	
-2		..Battery, 9 volt	1	
-3	20311-027*	.SCREW, Self Tap #8 PNH x 3/4	1	
-4	20075-006*	.INSERT, NYLON	1	
36-1	69211-001	.FIRE Extinguisher	1	
-2	69211-004	.HOLDER, Fire Extinguisher	1	
-3	20311-027*	.SCREW, Self Tap #8 PNH x 3/4	6	
-4	20075-006*	.INSERT, NYLON	6	
*Production Supplies and Minor Parts. Do not report on Repair Statement.				

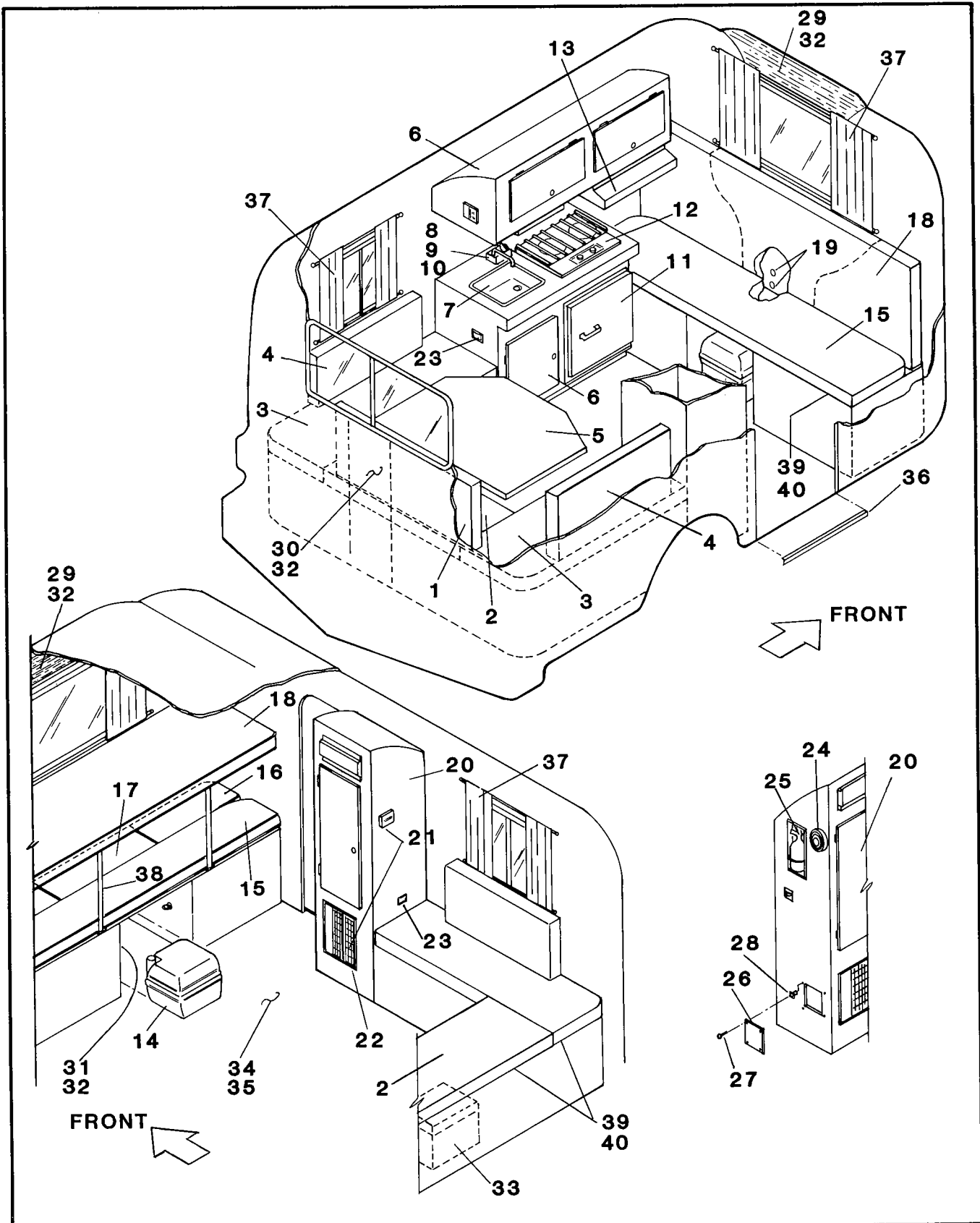


Figure 37. Body Assembly, Interior

Fig. & Item No.	Amercode Part No.	Part Description	Qty. Per Assy.	Usable On Code
		BODY ASSEMBLY-INTERIOR		
37-	41176-001	TRAILER ASSY, CAMPER 13 Ft	Ref	
37-1	63477-005	.CUSHION, Rear Vertical	1	
-2	63477-008	.CUSHION, Rear Lower	1	
-3	63477-006	.CUSHION, Side Lower	2	
-4	63477-007	.CUSHION, Side Vertical	2	
-5		.TABLE ASSEMBLY (see fig 25	Ref	
-6		.CABINETS (See fig 30,31)	Ref	
-7	66217-008	.SINK, Stainless Steel (see figure 24)	1	
-8	24008-001	.PUMP, 2 Way	1	
-9	20080-019*	.WASHER, Flat #10	2	
-10	20651-035*	.SCREW, Mach #8-32 PNH x 3/4	2	
-11	66214-008	.ICE Box (see figure 21)	1	
-12	66217-007	.STOVE, 2 Burner (see figure 22)	1	
-13	25414-001	.HOOD, Range W/Light/Fan (see figure 23)	1	
-14	66247-003	.TOILET, Portable (see figure 26)	1	
-15	63477-004	.CUSHION, Seat Front	1	
-16	63477-001	.CUSHION, Side Spacer	2	
-17	63477-002	.CUSHION, Center Spacer	1	
-18	63477-003	.CUSHION, Bunk	1	
-19	21980-024	.PLUG, Plastic 2"	2	
-20		.CLOSET (see fig 32)	Ref	
-21	66881-009	.HEATER W/Thermostat (see figure 27)	1	
-22	38455-005	.EXTR, Heater Seal x 52	1	
-23	63881-001	.ASH TRAY (see fig 34)	2	
-24	64712-004	.DETECTOR, Smoke Alarm 9V (see fig 35)	1	
-25	69211-001	.FIRE EXTINGUISHER (see fig 36)	16	
-26	33548-007	.SHEET, Mounting	1	
-27	20311-024*	.SCREW, Self Tap #9 PNH x 1/2	4	
-28	20075-006*	.INSERT, Nylon	4	
-29	63588-001	.HEADLINER, Natural 24 X 132	1	
-30	63588-002	.HEADLINER, Natural 8 X 25	1	
-31	63588-003	.HEADLINER, Natural 4 X 54	1	
-32	10751-007	.ADHESIVE, Weatherstrip	AR	
-33	43861-011	.BOX ASSY, Battery CT (see figure 28)	Ref	
-34	63583-029	.CARPET, Indoor/Outdoor	1	
-35	10946-001	.PELLETS, Odor	AR	
-36	34823-015	.EXTR, J x 24-3/4 . (Threshold)	1	
-37	43249-010	.CURTAIN/ROD INSTL, CT (see fig 33)	Ref	
-38	43249-009	.BUNK INSTL, Camper Trailer (see fig 20)	Ref	
-39	43249-008	.SEAT BOARD INSTL, Camper Trlr (see fig 29)	Ref	
-40		.STORAGE Compartment Inserts (see fig 29)	Ref	
		*Production Supplies and Minor Parts. Do not report on Repair Statement.		

ENGLISH-METRIC CONVERSIONS

Use the following to convert fractions and decimals to millimeters:

Inch Measurement		Millimeter Equivalent	Inch Measurement		Millimeter Equivalent
Fractions	Decimals		Fractions	Decimals	
1/16	0.0625	1.588	9/16	0.5625	14.288
1/8	0.125	3.175	5/8	0.625	15.875
3/16	0.1875	4.763	11/16	0.6875	17.463
1/4	0.250	6.35	3/4	0.750	19.05
5/16	0.3125	7.938	13/16	0.8125	20.638
3/8	0.375	9.525	7/8	0.875	22.225
7/16	0.4375	11.113	15/16	0.9375	23.813
1/2	0.500	12.7	1	1.00	25.4

Use the following to convert lengths greater than one inch to millimeters:

Inch	Millimeter
2	50.8
3	76.2
4	101.6
5	127.0
6	152.4

Inch	Millimeter
7	177.8
8	203.2
9	228.6
10	254.0
11	279.4

Use the following to convert foot lengths to meters:

Feet	Meters
1	0.3048
2	0.6096
3	0.9144
4	1.2192
5	1.524

Feet	Meters
6	1.8288
7	2.1336
8	2.4384
9	2.7432
10	3.048

Feet	Meters
20	6.096
30	9.144
40	12.192
50	15.240
100	30.480

Use the following to obtain your own English to metric conversion by multiplication:

Multiply	By	To Obtain
inches	25.4	millimeters (mm)
feet	0.3048	meters (m)
miles	1.609	kilometers (km)
gallons	3.785	liters