

owners manual

FILE FOR
FUTURE
REFERENCE

DUETTE COMBINATION RANGE & HEATER FOR RECREATIONAL VEHICLES MODEL 183-60

CAUTION:

Read Rules for
Safe Operation
and instructions
Carefully

- Assembly
- Installation
- Repair Parts
- Operation



MANUFACTURED BY
ELIXIR INDUSTRIES

TRAV'LER DIVISION

P.O. BOX 526

WAKARUSA, INDIANA 46573

instructions

RULES FOR SAFE OPERATION

1. Read the Owners Manual and these Rules for Safe Operation carefully.
2. Check that all applicable state and local codes regarding installation have been followed. The supplier of the propane gas is usually an expert in this regard.
3. Check that minimum clearances to combustible materials have been maintained.
4. When igniting the burners, have lighted match ready when the burners are turned on, if not equipped with lighters.
5. Never light matches in the vicinity if the odors of gas are noted.
6. A window or other air vent should be opened slightly while using the range counter unit. Gas burner flames consume oxygen which has to be replaced to assure proper combustion.
7. Do not tamper with the burner orifices or change their size.

GENERAL

1. Your Combination Range and Heater has been Certified for Performance and safety by the Underwriters Laboratory for use with liquefied petroleum gases only.
2. Burner inputs are shown on a plate attached to each unit. Refer to this plate for ratings and minimum clearances. The orifices have been sized at the factory at a pressure of 11 inches water column (6-1/2 ounces approximately) for liquefied petroleum gases.

ASSEMBLY

This appliance comes to you fully assembled with the exception of the burner grates, grate clip holddowns and outside vent assembly. These will be installed after the unit is placed in the cabinet.

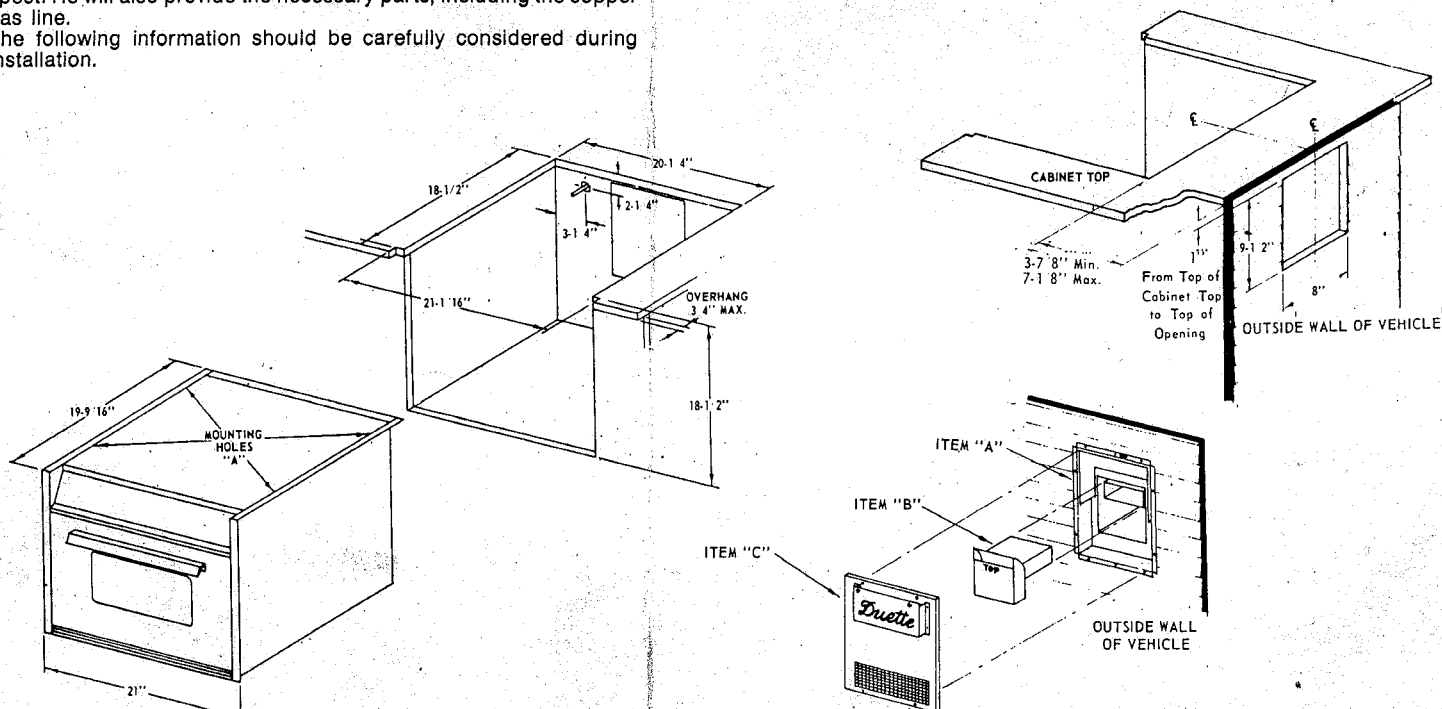
INSTALLATION

1. Consider the following when selecting the location of your combination unit.
 - A. Location of gas supply and routing of gas line.
 - B. Minimum clearances of unit from combustible materials. These clearances are:
MODEL 183-60
Sides - 6 inches minimum as measured from center of closest burner head.
Rear - 8 inches minimum as measured from center of closest burner head.
Top - 24 inches minimum as measured from top of unit to bottom of any overhanging cabinet or shelf.
2. After selecting the best location, cut opening in countertop and outside wall as shown in the installation instructions.
3. Install gas supply and route gas line (not furnished) to unit. Here you should seek the assistance of a qualified service man. Usually the supplier of the gas will be able to provide expert help in this respect. He will also provide the necessary parts, including the copper gas line.
The following information should be carefully considered during installation.

- A. The gas tank must be located in a protected place and cannot UNDER ANY CIRCUMSTANCES be located within the confines of the trailer or camper. The supplier of the gas will be acquainted with the applicable codes with respect to the locations of the gas supply tank.
 - B. Gas supply line should be copper and should be routed in protected locations so as not to be damaged. A single, continuous line is recommended.
 - C. No connections should be made in the gas line where the connections would be concealed after completion of the installation. All parts used in making connections must be of type acceptable for this purpose. Gas line should not make any sharp bends nor have any kinks. The line should not be under strain.
 - D. For convenience we recommend a manual shutoff valve in an accessible location in the gas supply line external to the range for the purpose of turning the gas on and off during servicing.
4. Remove burner knobs, and main top assembly, this will expose gas manifold on unit.
 5. Make electrical connections (12 Volts D.C. only) to the unit in back. NOTE: This unit is equipped with a protective circuit device which will make the blower inoperable if the positive (+) wire (red in color) is not connected to the positive side of the vehicle electrical circuit.
 6. Place unit in installation area.
 7. Secure in place with 4 No. 8 wood screws indicated as item "A" in cabinet cutout drawing.
 8. Apply perma-gum to flanges of the Flue Box assembly (item A) and install in cutout. Secure with screws thru holes provided in flanges.
 9. Install flue cap assembly (item B) by sliding it into mating pipe. NOTE: "Top" is stamped on front of cap and flue box and must be up.
 10. Install Flue Box cover (item C) with screws thru holes provided.
 11. Make gas connection.
 12. After installing the gas supply, check thoroughly for possible gas leaks. Turn the valves on your unit to their "off" positions. Open valve on gas supply tank. Using a soap and water solution, check each gas connection one-at-a-time by brushing the soap and water solution over the connection. Presence of bubbles will indicate a leak. Tighten fitting and recheck for leaks. If impossible to correct leak, replace fitting. UNDER NO CIRCUMSTANCES USE MATCHES OR FLAME FOR CHECKING LEAKS.
 13. Slide main top assembly in place. Push burner knobs on to valve stems. Place burner grates in place with the clips provided. Instructions are provided on the envelope in which the clips are shipped. These grate clips will hold the grate in place while traveling.
 14. Your combination range and heater is now ready for use.

CARE AND MAINTENANCE

The finish on this range can be preserved by cleaning with a solution of water and mild dish washing soap. After cleaning and at frequent intervals furniture polish or a light coat of oil must be applied.



operating instructions

LIGHTING INSTRUCTIONS

TO LIGHT THE OVEN PILOT FOLLOW THE STEPS LISTED BELOW:

1. Turn on and ignite the right rear top burner, leave this burner on for approximately two minutes (this will enable air in the system to escape).
2. Turn oven thermostat knob to 300°.
3. Depress the pilot button (located on the right front side of the oven) for approximately one minute to allow gas to reach the pilot.
4. Continue to hold the pilot button and light the pilot (using the match holder supplied with this unit). Keep the pilot button depressed for 90 seconds after the pilot is lighted.
5. Close the oven door and turn the thermostat knob to the desired setting. The oven burner will ignite in about one minute.
6. If the pilot goes out, turn the thermostat knob to the "off" position and wait 5 minutes then repeat steps 1 through 5.

NOTE: Due to built-in safety valve the oven door must be closed for the oven burner to ignite. Sometimes the burners will not ignite immediately and seem to "blow" slightly when they do ignite. This is usually due to the presence of air in the gas lines which will clear itself within seconds.

OPERATING INSTRUCTIONS

To operate the unit as a range only - be certain that the heater off-on indicator is in the "OFF" position. The unit now is to be operated as you would with any Recreational Vehicle range.

For heater operation—remove the broiler pan from the broiler compartment and store in a convenient location. Turn the heater off-on indicator to the "ON" position and then turn the oven thermostat to the 250° setting.

The blower will automatically come on in approximately 3-1/2 minutes or when the inside of the oven is hot.

For heating comfort the oven thermostat can be adjusted to any setting between the range of 250° to broil.

Recommended settings are:

1. Low - 250°
2. Medium - 350°
3. High - Broil

During the time the unit is in use, a safety system is in operation. This system turns the oven burner off when the oven door is opened. This unit was designed this way to prevent the burner from using the air from the inside of the trailer or camper.

Upon closing of the oven door, the burner will automatically come on in approximately 20 seconds.

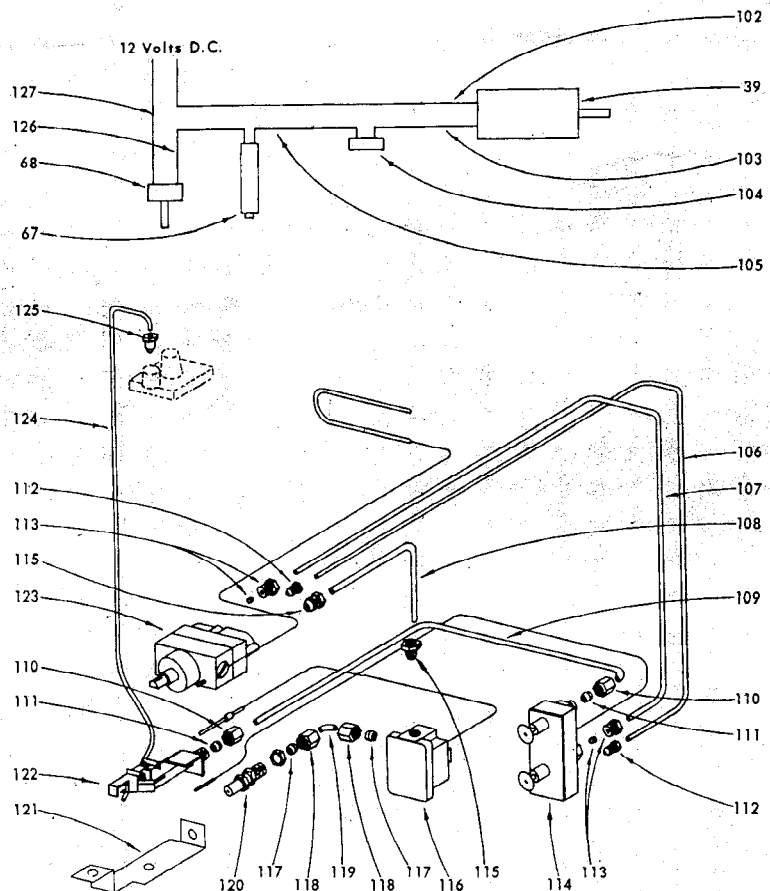
Due to the construction of this unit, it is quite practical to operate the heater, top burners and the oven simultaneously.

In the event the blower should cease to function even though oven is at operating temperature—check the following:

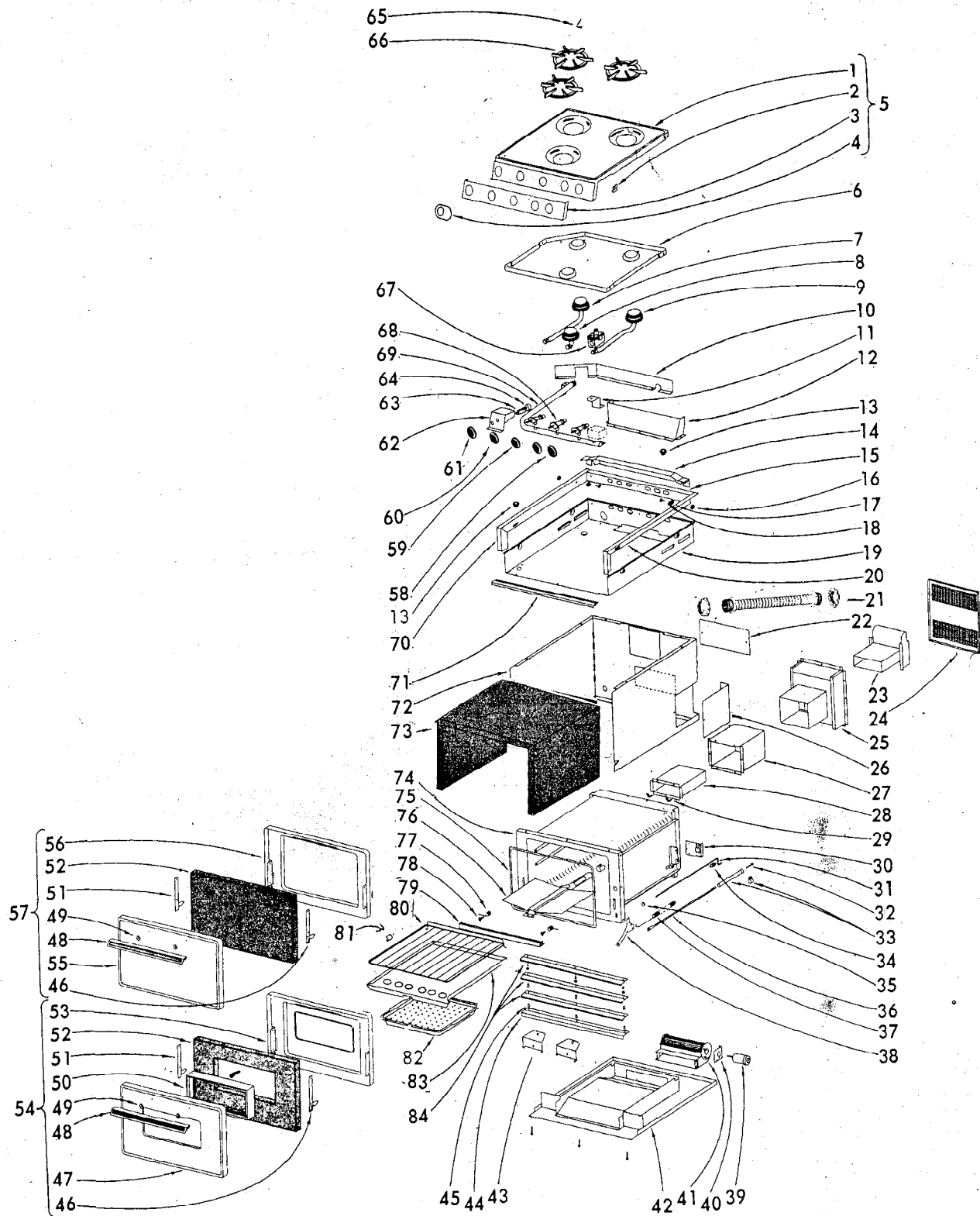
1. Be certain that the heater on-off indicator is in the "ON" position.
2. This unit is equipped with a circuit breaker that may be energized due to an overload. This circuit breaker is located behind the heater on-off indicator. To reset manually, simply remove this knob from the control panel and depress the red re-set button which is located to the left of the on-off switch.
3. Check electrical connections to power source.

repair parts

Key No.	Part No.	Description
102	6137	Motor Wire
103	6133	Blower Switch Wire
104	6220	Blower Switch
105	6134	Breaker Wire
106	7029	Aluminum Tubing (1/8 x 30)
107	7030	Aluminum Tubing (1/8 x 30) (Color Coded)
108	7031	Aluminum Tubing (1/4 x 28)
109	6229	Aluminum Tubing (3/16 x 19)
110	1305	3/16 Inch Compression Nut
111	1306	3/16 Inch Compression Ferrule
112	1330	1/8 Inch Loxit Fitting
113	7133	3/16 to 1/8 O.D. Tubing Adapter Nut & Ferrule
114	7042	100% Safety Valve
115	1303	1/4 inch Loxit Fitting
116	6117	Mercury Control
117	1086	1/4 Inch Compression Ferrule
118	1085	1/4 Inch Compression Nut
119	6230	Aluminum Tubing (1/4 x 4 5/8")
120	6118	Oven Orifice Fitting
121	7097	Oven Pilot Shield
122	7041	Oven Pilot
123	8052	Oven Thermostat
124	7028	Aluminum Tubing (1/8 x 43)
125	7063	Vent Line Fitting
126	6135	Breaker and Switch Wire
127	6136	Switch Wire



COMBINATION RANGE AND HEATER MODEL 183-60



Key No.	Part No.	Description	Key No.	Part No.	Description
1	3132	Main Top	44	0980	Bottom Trim
2	4098	Hold Down Clip	45	6225	Grill Trim Spacers
3	7037	Manifold Panel	46	7065	Hinge Assembly (Right Hand)
4	7061	Name Plate	47	5106	Oven Door Panel
5	7072	Main Top Assembly (3 Burner) (1, 2, 3, 4)	48	5110	Oven Door Handle
			49	5061	Phenolic Bushing
6	0989	Burner Box Liner	50	7228	Oven Door Glass Assembly
7	1361	Top Burner (Left Rear)	51	7066	Hinge Assembly (Left Hand)
8	2348	Top Burner (Front)	52		Fiber Glass Insulation
9	1360	Top Burner (Right Rear)			1-1/2 x 14 x 19
10	3144	Burner Box Shield	53	5107	Oven Door Lining Assembly
11	0031	Burner Box Liner Support	54	7089	Oven Door Assembly (Complete) (46, 47, 48, 49, 50, 51, 52, 53)
12	7238	Blower Duct			Oven Door Panel
13	1352	Heyco Electrical Bushing	55	4089	Oven Door Liner Assembly
14	2149	Flue Deflector	56	4090	Oven Door Assembly (Complete) (46, 48, 49, 51, 52, 55, 56)
15	0987	Rear Trim	57	7090	Thermostat Knob
16		10 - 24 Lock Nut			Front Burner Knob
17	2331	Nylon Bushing	58	4068	Rear Burner Knob
18	0005	Screw (Top Hinge)	59	4066	"ON-OFF" Switch Knob
19	7064	Burner Box Assembly	60	4067	Switch and Breaker Support
20	0983	Cabinet Trim (Right)	61	7039	Circuit Breaker
21	6166	Flex Conduit Assembly with Fitting	62	5089	"ON-OFF" Switch
			63	6228	Grate Clip
22	7189	Control Cover	64	6221	Top Burner Grate
23	7074	Flue Cap Assembly	65	2002A	Pressure Regulator
24	7073	Flue Box Cover Assembly	66	0003	Top Burner Valve
25	7075	Flue Box Assembly	67	6123	Manifold Pipe (3 Burner)
26	7035	Linkage Cover	68	8038	Cabinet Trim (Left)
27	7076	Inner Air Inlet Assembly	69	8046	Manifold Panel (Lower Trim)
28	7077	Flue Pipe Assembly	70	0984	Oven Exterior Body
29	0099	Thermostat Bulb Clip	71	1144	Fiber Glass Insulation 1-1/2 x 15 x 48
30	6101	Safety Valve Bracket (100%)	72	7034	Oven Body Assembly
31	6126	Pilot Linkage	73		Oven Door Seal
32	6218	Door Interlock Screw			Main Oven Burner Assembly
33	7322	Tubing and Clamp (Door Interlock)	74	7095	Oven Bottom Spring
			75	6224	10 x 1/2 Sheet Metal Screw
34	6129	Pilot Linkage Spring	76	7080	Oven Bottom Support
35	7235	Pilot Light Button	77	1350	Oven Rack
36	6127	Door Interlock Linkage	78		Oven Rack Hold Down Clip
37	5056	Oven Door Spring	79	2346	Broiler Pan and Insert
38	5053	Upper Hinge	80	4094	Oven Bottom
39	6226	Blower Motor	81	1226	Grill Trim
40	6227	Motor Bracket	82	4041	Owners Manual
41	6128	Blower Assembly	83	7059	
42	7078	Oven Exterior Bottom Assembly	84	6209	
43	7263	Bottom Hold-down Brackets	85	7099	

Fiber Stream

owners manual

DUETTE COMBINATION RANGE & HEATER FOR RECREATIONAL VEHICLES MODEL 183-60

**MODEL NO.
183-60**

**HOW TO ORDER
REPAIR PARTS**

PARTS AND SERVICE

The Model and Serial Number will be found stamped on the rating plate located inside the burner box on the back left side. Always mention the Model and Serial Number when requesting service for your Combination Range and Heater.

All parts listed herein may be ordered through Elixir Industries, or any of its authorized service centers. When ordering parts by mail, selling prices will be furnished on request or parts will be shipped at prevailing prices and you will be billed accordingly.

WHEN ORDERING REPAIR PARTS, ALWAYS GIVE THE FOLLOWING INFORMATION AS SHOWN IN THIS LIST.

1. The PART NUMBER.
2. The PART DESCRIPTION.
3. The MODEL NUMBER 183-60.
4. The SERIAL NUMBER.
5. The NAME of ITEM—Combination Range and Heater.

When you wish to order parts or contact Customer Service please write or phone Elixir at either of the following addresses:

Elixir Industries
Customer Service
17809 South Broadway
Gardena, California 90248
(213) 321-1191

Elixir Industries
Customer Service
2040 Industrial Parkway
Elkhart, Indiana 46514
(219) 294-1651